

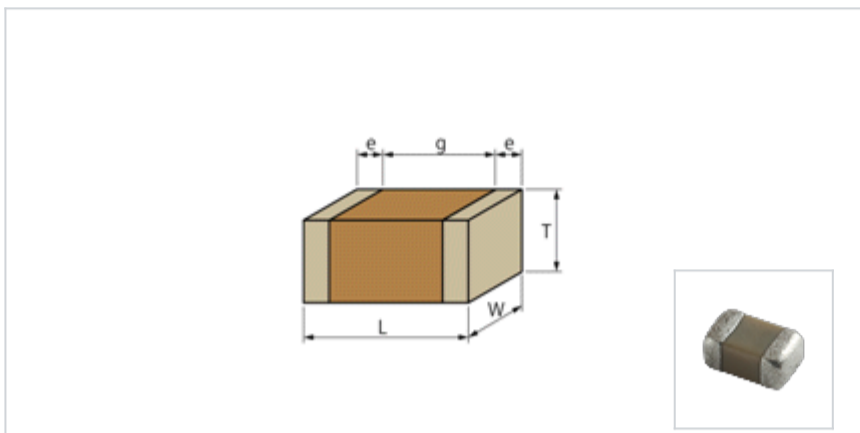
GA242QR7E2102MW01L

"indicates a package specification code.



< List of part numbers with package codes >
GA242QR7E2102MW01L

Shape



| | |
|--|---------------|
| L size | 4.5 ± 0.3mm |
| W size | 2.0 ± 0.2mm |
| T size | 1.5 +0/-0.3mm |
| External terminals width e | 0.3mm min. |
| Distance between external terminals g (Min.) | 2.5mm |
| Size code in mm | 4520 |
| Size code in mm(inch) | 4520 (1808) |

Notes

Based on the Electrical Appliance and Material Safety Law of Japan

References

| Packaging | Specifications | Minimum quantity |
|-----------|------------------------|------------------|
| | Embossed tape (180mm) | 2000pcs. |

Specifications

| | |
|--|----------------|
| Capacitance | 1000pF ± 20% |
| Rated voltage | 250Vac(r.m.s.) |
| Temperature characteristics (complied standard) | X7R(EIA) |
| Rate of capacitance change | ± 15% |
| Temperature range of temperature characteristics | -55 to +125 |
| Operating temperature range | -55 to +125 |

⚠ Attention

- 1.This datasheet is downloaded from the website of Murata Manufacturing Co., Ltd. Therefore, it's specifications are subject to change or our products in it may be discontinued without advance notice. Please check with our sales representatives or product engineers before ordering.
- 2.This datasheet has only typical specifications because there is no space for detailed specifications. Therefore, please review our product specifications or consult the approval sheet for product specifications before ordering.

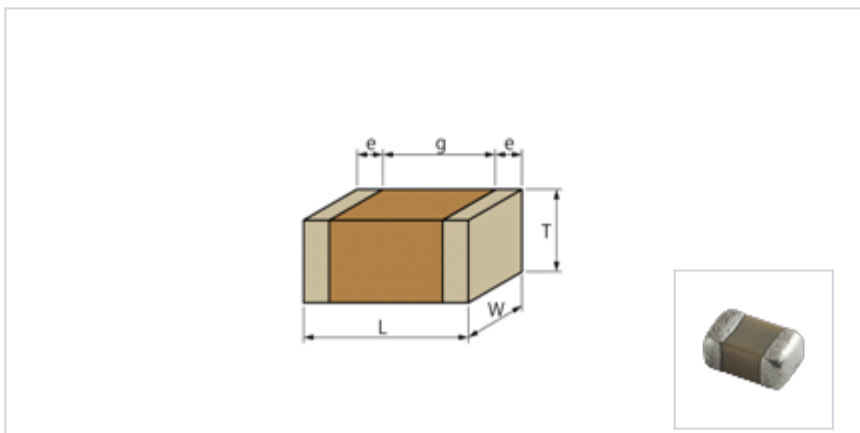
GA242QR7E2471MW01L

" # " indicates a package specification code.



< List of part numbers with package codes >
GA242QR7E2471MW01L

Shape



| | |
|--|---------------|
| L size | 4.5 ± 0.3mm |
| W size | 2.0 ± 0.2mm |
| T size | 1.5 +0/-0.3mm |
| External terminals width e | 0.3mm min. |
| Distance between external terminals g (Min.) | 2.5mm |
| Size code in mm | 4520 |
| Size code in mm(inch) | 4520 (1808) |

Notes

Based on the Electrical Appliance and Material Safety Law of Japan

References

| Packaging | Specifications | Minimum quantity |
|-----------|------------------------|------------------|
| | Embossed tape (180mm) | 2000pcs. |

Specifications

| | |
|--|----------------|
| Capacitance | 470pF ± 20% |
| Rated voltage | 250Vac(r.m.s.) |
| Temperature characteristics (complied standard) | X7R(EIA) |
| Rate of capacitance change | ± 15% |
| Temperature range of temperature characteristics | -55 to +125 |
| Operating temperature range | -55 to +125 |

⚠ Attention

- 1.This datasheet is downloaded from the website of Murata Manufacturing Co., Ltd. Therefore, it ' s specifications are subject to change or our products in it may be discontinued without advance notice. Please check with our sales representatives or product engineers before ordering.
- 2.This datasheet has only typical specifications because there is no space for detailed specifications. Therefore, please review our product specifications or consult the approval sheet for product specifications before ordering.

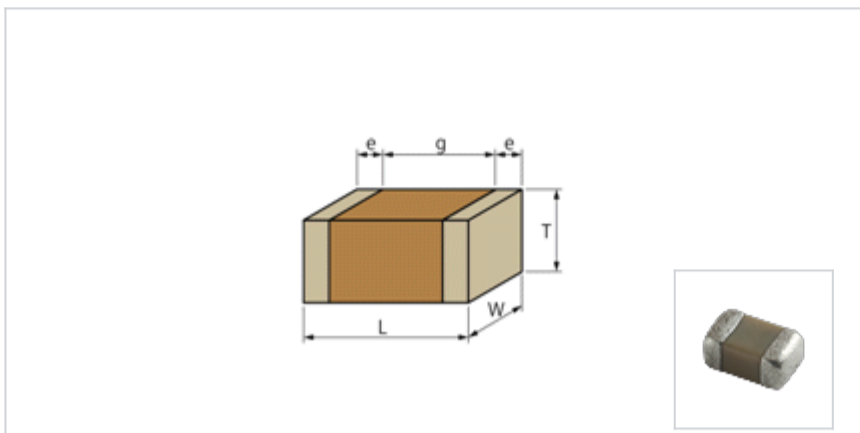
GA243DR7E2473MW01L

" # " indicates a package specification code.



< List of part numbers with package codes >
GA243DR7E2473MW01L

Shape



| | |
|--|---------------|
| L size | 4.5 ± 0.4mm |
| W size | 3.2 ± 0.3mm |
| T size | 2.0 +0/-0.3mm |
| External terminals width e | 0.3mm min. |
| Distance between external terminals g (Min.) | 2.5mm |
| Size code in mm | 4532 |
| Size code in mm(inch) | 4532 (1812) |

Notes

Based on the Electrical Appliance and Material Safety Law of Japan

References

| Packaging | Specifications | Minimum quantity |
|-----------|------------------------|------------------|
| | Embossed tape (180mm) | 1000pcs. |

Specifications

| | |
|--|----------------|
| Capacitance | 47000pF ± 20% |
| Rated voltage | 250Vac(r.m.s.) |
| Temperature characteristics (complied standard) | X7R(EIA) |
| Rate of capacitance change | ± 15% |
| Temperature range of temperature characteristics | -55 to +125 |
| Operating temperature range | -55 to +125 |

⚠ Attention

- 1.This datasheet is downloaded from the website of Murata Manufacturing Co., Ltd. Therefore, it ' s specifications are subject to change or our products in it may be discontinued without advance notice. Please check with our sales representatives or product engineers before ordering.
- 2.This datasheet has only typical specifications because there is no space for detailed specifications. Therefore, please review our product specifications or consult the approval sheet for product specifications before ordering.

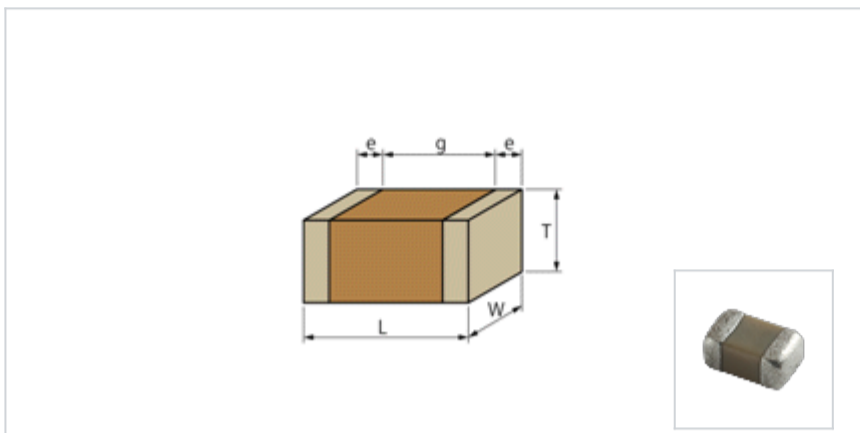
GA243QR7E2103MW01L

" # " indicates a package specification code.



< List of part numbers with package codes >
GA243QR7E2103MW01L

Shape



| | |
|--|---------------|
| L size | 4.5 ± 0.4mm |
| W size | 3.2 ± 0.3mm |
| T size | 1.5 +0/-0.3mm |
| External terminals width e | 0.3mm min. |
| Distance between external terminals g (Min.) | 2.5mm |
| Size code in mm | 4532 |
| Size code in mm(inch) | 4532 (1812) |

Specifications

| | |
|--|----------------|
| Capacitance | 10000pF ± 20% |
| Rated voltage | 250Vac(r.m.s.) |
| Temperature characteristics (complied standard) | X7R(EIA) |
| Rate of capacitance change | ± 15% |
| Temperature range of temperature characteristics | -55 to +125 |
| Operating temperature range | -55 to +125 |

Notes

Based on the Electrical Appliance and Material Safety Law of Japan

References

| Packaging | Specifications | Minimum quantity |
|-----------|------------------------|------------------|
| | Embossed tape (180mm) | 1000pcs. |

⚠ Attention

- 1.This datasheet is downloaded from the website of Murata Manufacturing Co., Ltd. Therefore, it ' s specifications are subject to change or our products in it may be discontinued without advance notice. Please check with our sales representatives or product engineers before ordering.
- 2.This datasheet has only typical specifications because there is no space for detailed specifications. Therefore, please review our product specifications or consult the approval sheet for product specifications before ordering.

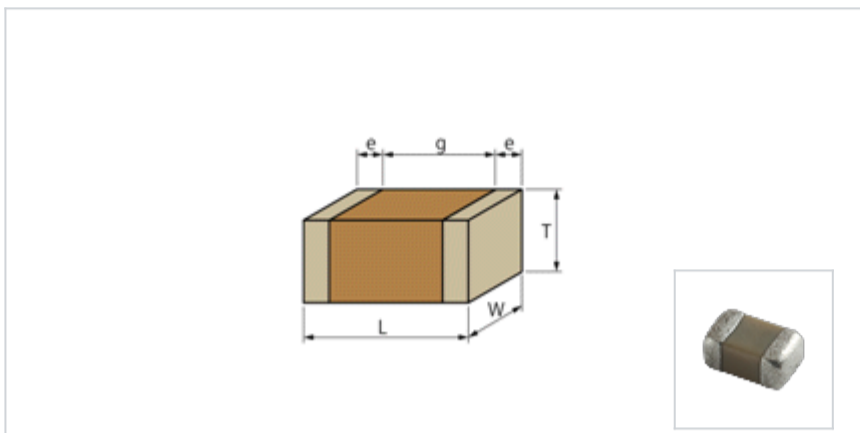
GA243QR7E2222MW01L

" # " indicates a package specification code.



< List of part numbers with package codes >
GA243QR7E2222MW01L

Shape



| | |
|--|---------------|
| L size | 4.5 ± 0.4mm |
| W size | 3.2 ± 0.3mm |
| T size | 1.5 +0/-0.3mm |
| External terminals width e | 0.3mm min. |
| Distance between external terminals g (Min.) | 2.5mm |
| Size code in mm | 4532 |
| Size code in mm(inch) | 4532 (1812) |

Notes

Based on the Electrical Appliance and Material Safety Law of Japan

References

| Packaging | Specifications | Minimum quantity |
|-----------|------------------------|------------------|
| | Embossed tape (180mm) | 1000pcs. |

Specifications

| | |
|--|----------------|
| Capacitance | 2200pF ± 20% |
| Rated voltage | 250Vac(r.m.s.) |
| Temperature characteristics (complied standard) | X7R(EIA) |
| Rate of capacitance change | ± 15% |
| Temperature range of temperature characteristics | -55 to +125 |
| Operating temperature range | -55 to +125 |

⚠ Attention

- 1.This datasheet is downloaded from the website of Murata Manufacturing Co., Ltd. Therefore, it ' s specifications are subject to change or our products in it may be discontinued without advance notice. Please check with our sales representatives or product engineers before ordering.
- 2.This datasheet has only typical specifications because there is no space for detailed specifications. Therefore, please review our product specifications or consult the approval sheet for product specifications before ordering.

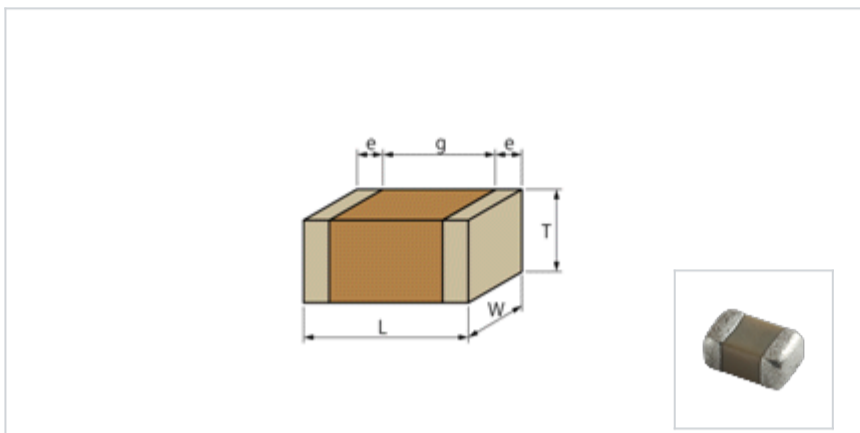
GA255DR7E2104MW01L

" # " indicates a package specification code.



< List of part numbers with package codes >
GA255DR7E2104MW01L

Shape



| | |
|--|---------------|
| L size | 5.7 ± 0.4mm |
| W size | 5.0 ± 0.4mm |
| T size | 2.0 +0/-0.3mm |
| External terminals width e | 0.3mm min. |
| Distance between external terminals g (Min.) | 3.2mm |
| Size code in mm | 5750 |
| Size code in mm(inch) | 5750 (2220) |

Specifications

| | |
|--|----------------|
| Capacitance | 0.10μF ± 20% |
| Rated voltage | 250Vac(r.m.s.) |
| Temperature characteristics (complied standard) | X7R(EIA) |
| Rate of capacitance change | ± 15% |
| Temperature range of temperature characteristics | -55 to +125 |
| Operating temperature range | -55 to +125 |

Notes

Based on the Electrical Appliance and Material Safety Law of Japan

References

| Packaging | Specifications | Minimum quantity |
|-----------|------------------------|------------------|
| | Embossed tape (180mm) | 1000pcs. |

⚠ Attention

- 1.This datasheet is downloaded from the website of Murata Manufacturing Co., Ltd. Therefore, it ' s specifications are subject to change or our products in it may be discontinued without advance notice. Please check with our sales representatives or product engineers before ordering.
- 2.This datasheet has only typical specifications because there is no space for detailed specifications. Therefore, please review our product specifications or consult the approval sheet for product specifications before ordering.