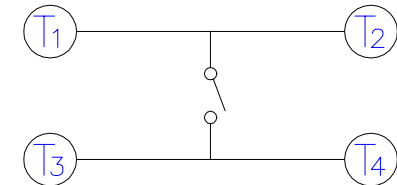
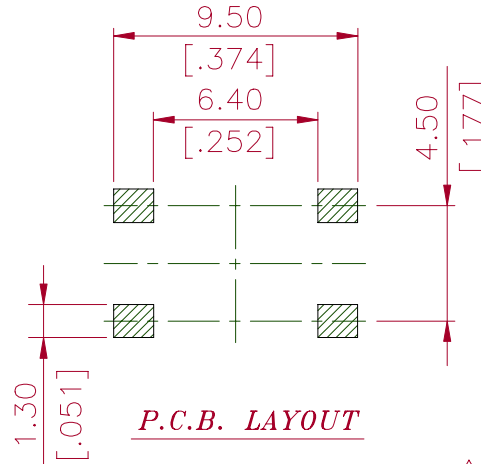
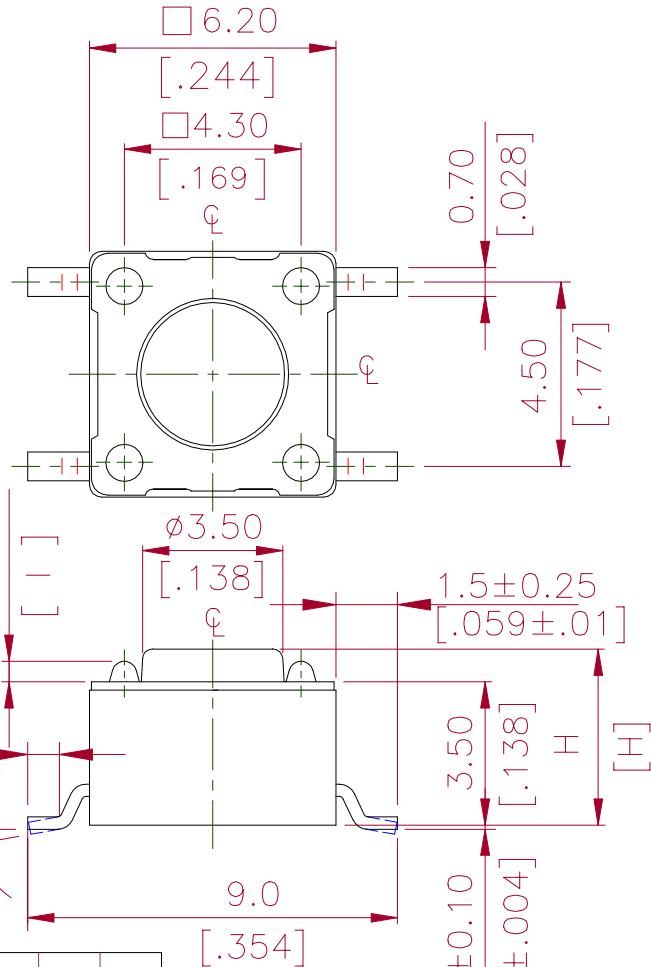


**NOTE:**

1. ALL DIMENSIONS ARE IN MILLIMETERS, BRACKETED DIMENSIONS ARE IN INCHES.
2. GENERAL TOLERANCES MAX.±0.20mm.
3. MATERIAL & □ : SEE PAGE 3 OF 3.



**CIRCUIT DIAGRAM**

DTSM-62~66□	0.6 MAX	.0236MAX
DTSM-6 1□	0.5 MAX	.0197MAX
△ PROD. NO.	I	INCHES.

△ DTSM-6 6□	13.0 [0.512]
DTSM-6 5□	9.5 [0.374]
DTSM-6 3□	△ 7.0 [0.275]
DTSM-6 2□	5.0 [0.197]
DTSM-6 1□	4.3 [0.169]
PROD. NO.	H

DTSM-6*	先銀壓後沖, 雙面銀壓 (Ag/0.3uM MIN)
△ DTSM-6*-G	先沖後鍍銀, (Ag/1.5uM MIN) △

ZONE	REV	DESCRIPTION	DATE	APPD.
△	I	變更鑲合尺寸		
△	H	修改鍍銀規格及刪除64□規格	03.08'99	楊豐富
△	G	修訂△標示尺寸	12.03'98	楊豐富
△	F	增訂先沖後鍍銀規格	10.14'98	楊豐富
△	E	修訂△部份尺寸.	01.22'98	楊豐富
△	D	增訂DTSM-66, H=13mm	01.20'96	施教郎
△	C	增訂尺寸 0°~4°	10.03'94	施教郎
△	B	修訂 DTS-63, H=7.3→H=7.0	09.16'94	施教郎
△	A	DWG.REL.	07.08'94	施教郎

APPD:	Q'TY:	圓達實業股份有限公司 DIPTRONICS MANUFACTURING INC.	PART NAME:
CHKD:	SCALE: 8 : 1		TACTILE SWITCH SMT TYPE 6X6
DR:	REV: I	PART NO:	DWG NO:
DESIGN:	UNITS: mm	DTSM-6□□(-G)	R D 5 P 6 M
		MAT'L:	
		FINISH:	