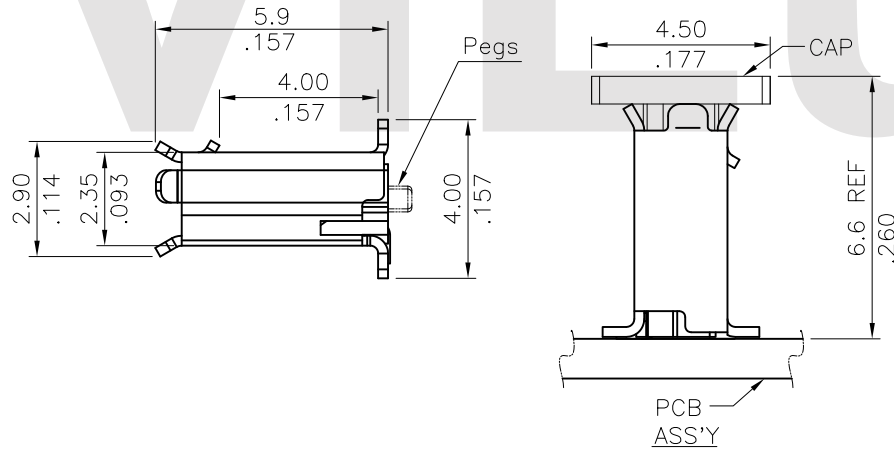
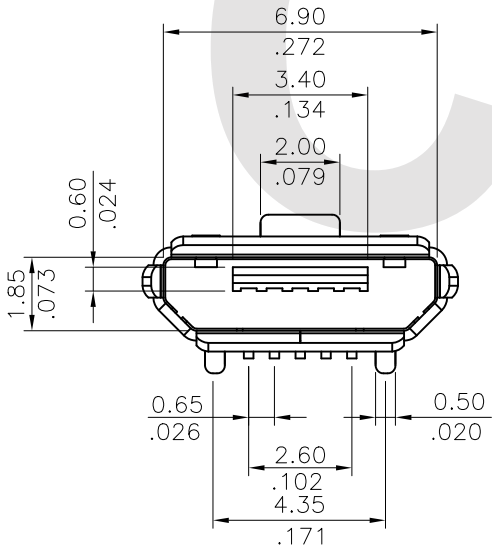


Recommended P.C. Board Layout



- Notes :
- * Insulation: LCP UL 94V-0
 - * CAP: LCP UL 94V-0, Color Black
 - * Contacts: Phosphor Bronze
 - * Shell: Stainless steel With Matte Tin plating
 - * For Lead-Free IR Reflow process

Ordering Code:

CU09 S E V 1 5 B 0 -R*

① ② ③ ④ ⑤ ⑥ ⑦ ⑧ ⑨

- ① Series No.
- ② S= Socket
- ③ Plating option:
E= 10u" Gold plated on contact area,
Gold Flash plated on Solder tails,
Nickel Underplating over all
- ④ Tail style: V= Straight SMT Type
- ⑤ Insulator Color: 1= Black
- ⑥ No of Circuits: 5= 5 Pin
- ⑦ Type: B= Micro USB 5 Pin Type-B
- ⑧ Option: 0= With Pegs (Standard)
N= Without Pegs
- ⑨ Packing Option:
-R0= Reel Packing
-RN= Reel Packing Without CAP

Lead Free Process

RoHS compliant

④											
③											
②											
①											
SYM	NAME	DATE	REVISIONS	APPROVED BY:	Eisely	9/8-16'					



DRAWN BY:	Sandy	9/5-16'
ENGINEER:	Sun	9/5-16'
CHECKED BY:	Eisley	9/8-16'
APPROVED BY:	Eisely	9/8-16'

UNIT:	mm / inch	
TOLERANCE UNLESS OTHERWISE SPECIFIED	.X ± 0.30/.012	X* ± 3'
	.XX ± 0.20/.008	X' ±
	.XXX ± 0.10/.004	.XX ±

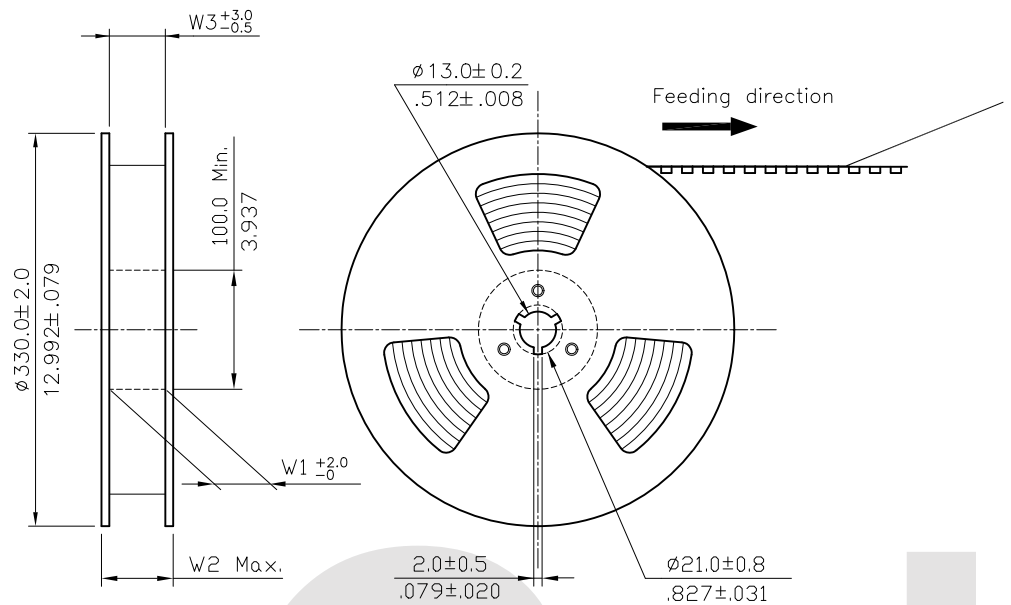
TITLE: MICRO USB 5 PIN SMT BOARD MOUNT CONNECTOR (B TYPE)

MATERIAL:

FINISH:



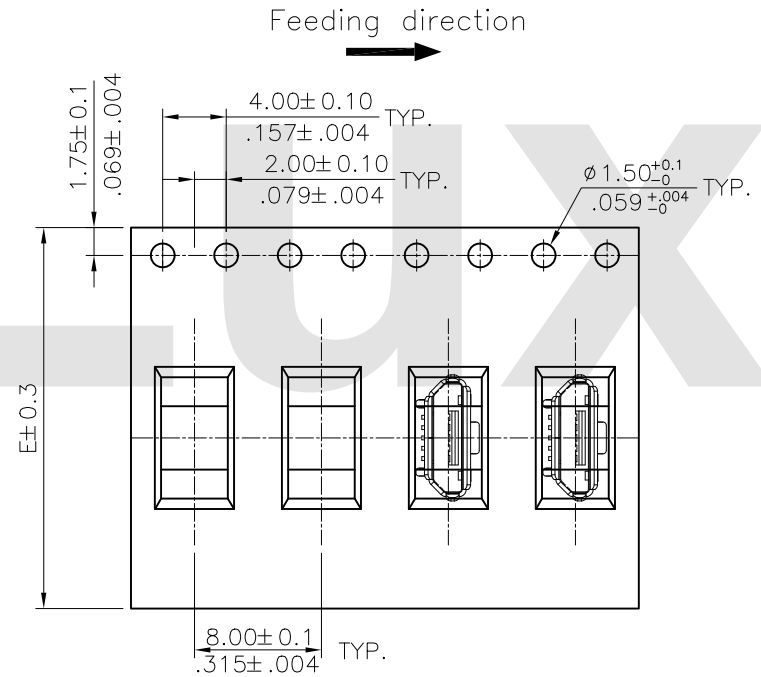
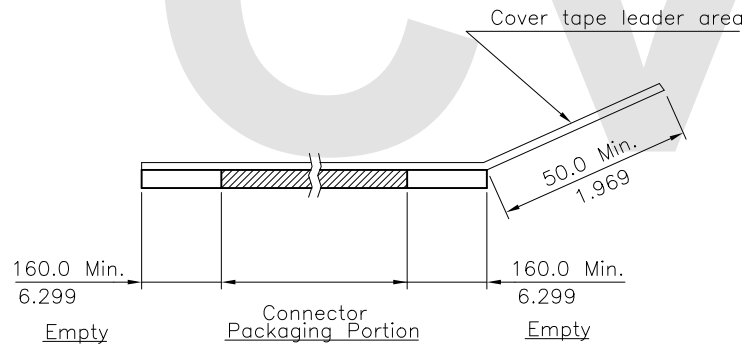
DRAWING NO.	CU0932SA	PART NO.	CU09SEV15B*-R*
SCALE	5 / 1	SHEET	1 OF 2



NOTE :

- * Reel Material : HIPS
- * Carrier Material : Conductive Polystyrene Alloy
- * Cover Tape Material : Polyester
- * Cover Tape Peel Strength : 0.1N - 1.3N
- * Carrier camber is within 1mm in 250mm
- * All dimensions meet EIA-481-D requirements.
- * Quantity : 1100 PCS/Reel

Dimension				Packing (Reel/Cartron)
E	W1	W2	W3	
24.0(.945)	24.5(.965)	30.5(1.201)	24.5(.965)	10



WIDTH : 24 mm Carrier

RoHS Compliant

CVILUX CORP
2016.09.22
ISSUED

4	3	2	1	SYM	NAME	DATE	REVISIONS	APPROVED BY:	Eisely	9/8-16'	UNIT: mm / inch		TITLE: MICRO USB 5 PIN SMT BOARD MOUNT CONNECTOR (B TYPE)		MATERIAL:	DRAWING NO. CU0932SA	PART NO. CU09SEV15B*-R*	SCALE	SHEET 2 OF 2		
											TOLERANCE UNLESS OTHERWISE SPECIFIED										
								DRAWN BY:	Sandy	9/5-16'	.X ±	X' ± "	FINISH:								
								ENGINEER:	Sun	9/5-16'	.XX ±	.X ±									
								CHECKED BY:	Eisley	9/8-16'	.XXX ±	.XX ±									

瀚荃股份有限公司
CviLux Corporation