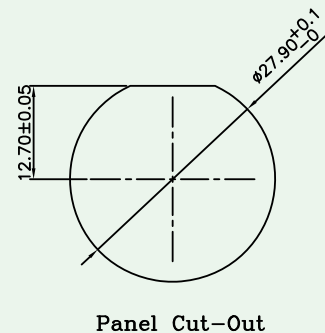
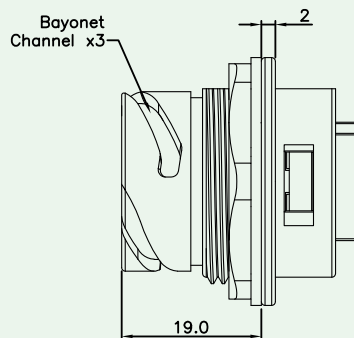
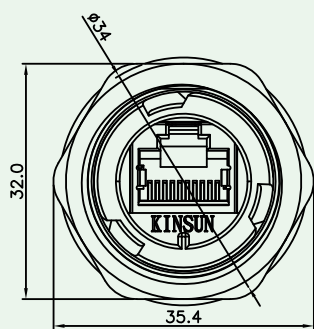
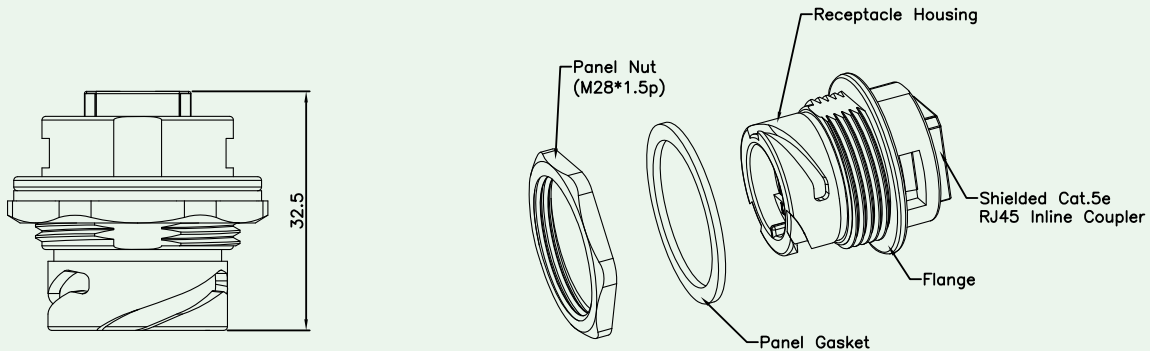




Metal Waterproof Cat.5e Coupler Jack (IP68)

KINSUN



Materials

- **Receptacle Housing** : Zn Alloy 3, Nickel Plated
 - **Panel Nut** : Coper Alloy, Nickel Plated
 - **Panel Gasket** : Silicone
 - **RJ45 Jack Metal Shell** : Coper Alloy, Nickel Plated
 - **RJ45 Jack Plastic Housing** : Engineering Thermoplastic Flammibility Rating UL94 V-0
 - **RJ45 Jack Contact** : Phosphor Bronze, finish : Gold over Nickel
- Connector can be front mounted to a maximum panel thickness of 3.2mm.



Ordering Information

3353D00040