
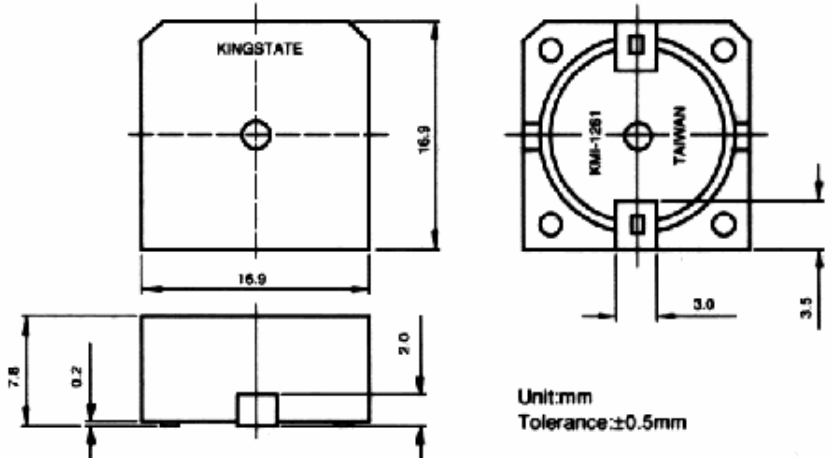


# KMT-1261

	MODEL NO.	KMT-1261
	OPERATING VOLTAGE(VP-P MAXIMUM)	20
	SOUND PRESSURE LEVEL AT 10CM/10VP-P SQUARE WAVE(DB,MINIUM)	88 AT 5.0 KHZ
	CURRENT CONSUMPTION AT 5.0KHZ/10VP-P SQUARE WAVE(MA,MAXIMUM)	10
	CAPACITANCE AT 1KHZ/1V(+30% PF)	15,000
	OPERATING TEMPERATURE(DEG.C)	-40 ~ + 85
	STORAGE TEMPERATURE(DEG.C)	-40~ + 95
	WEIGHT(GRAM)	2.6
	MATERIAL	PPS UL-94 V-0
	PACKING QUANTITY(PCS/TUBE)	25

DIMENSIONS	CHARACTER
 <p>Unit:mm Tolerance:±0.5mm</p>	