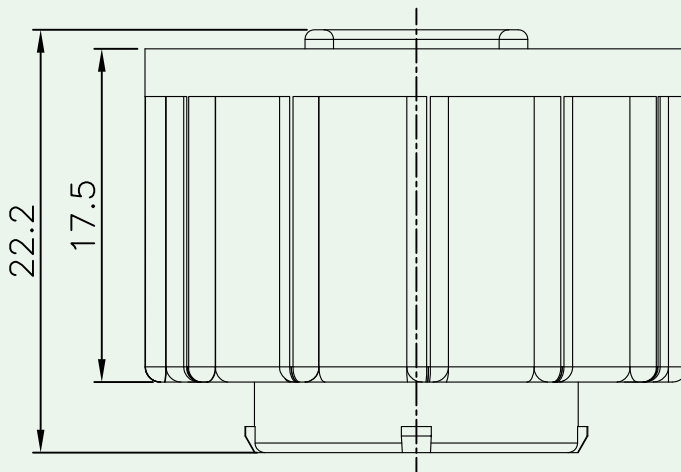
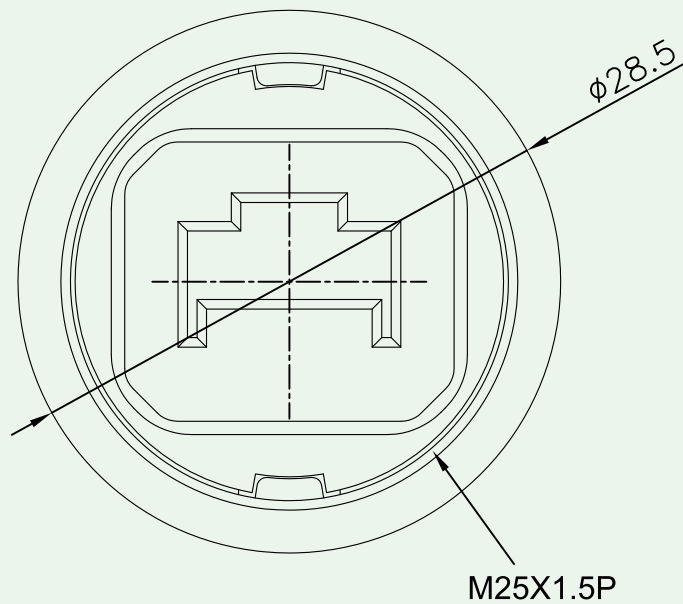




Waterproof Cap (IP68)

KINSUN



Materials

- **Plastic Housing** : Engineering Thermoplastic.
Flammability Rating UL 94V-0.



Ordering Information

3351A-01