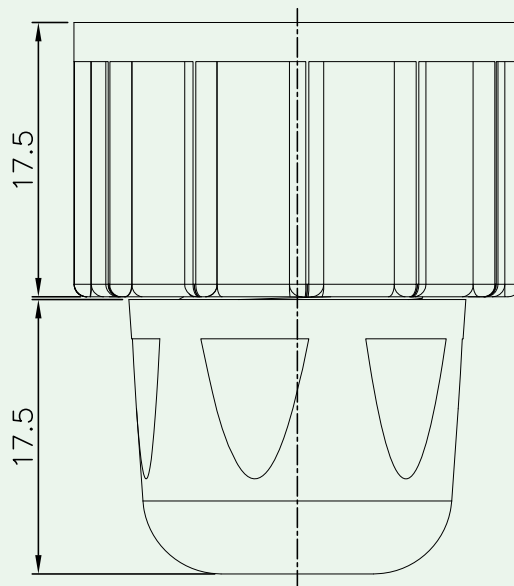
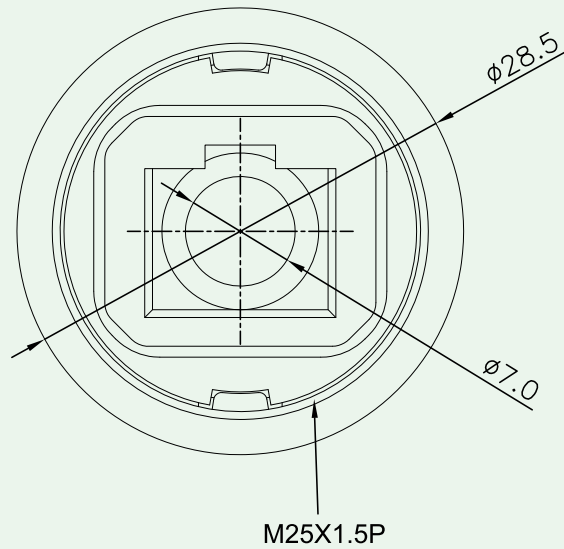




Waterproof Cable Side (IP68)

KINSUN



Materials

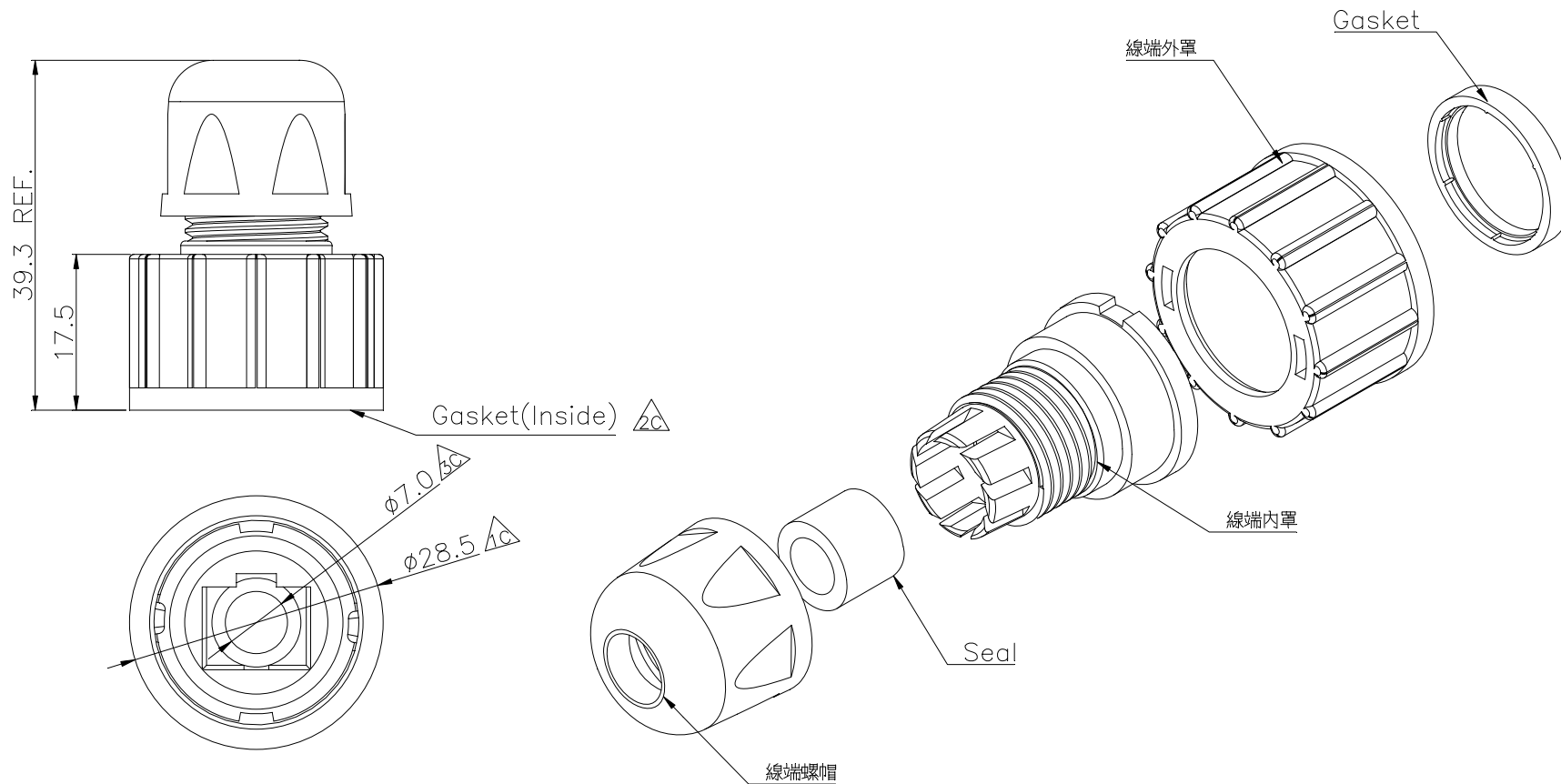
- **Plastic Housing** : Engineering Thermoplastic.
Flammability Rating UL 94V-0.



Ordering Information

3351L-01

RoHS COMPLIANT



Note:
 Plastic Housing: Engineering Thermoplastic
 Flammability Rating UL 94V-0.
 Gasket: Silicone.
 Applicable Ethernet Cable Diameter Range: $\phi 5.5 \sim \phi 7.0$

設計 DR. Lucas 2017/09/19	核准 APD. Marco 2017/09/19	容許公差 .XXX ±0.10 .XX ±0.25 .X ±0.38 X ±0.50 ANG ±3'	TOLERANCE	品名 ARTICLE 3351-線端(0-ring內嵌式)
版本說明 REVISION NOTE —— 修正字型 ——				圖號 DWG NO. 3351L-02
			單位 UNIT mm	比例 SCALE 張數 SHEET 版本 REV. 4/3 1/1 B