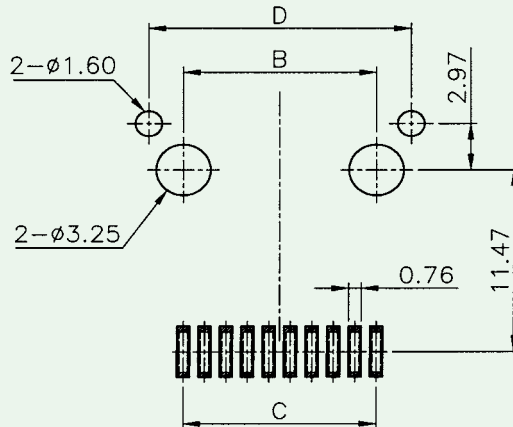
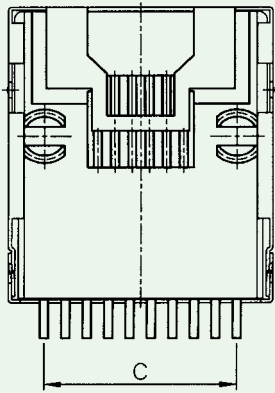
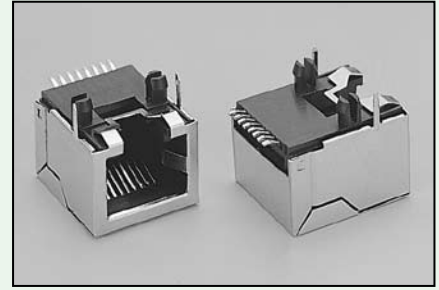
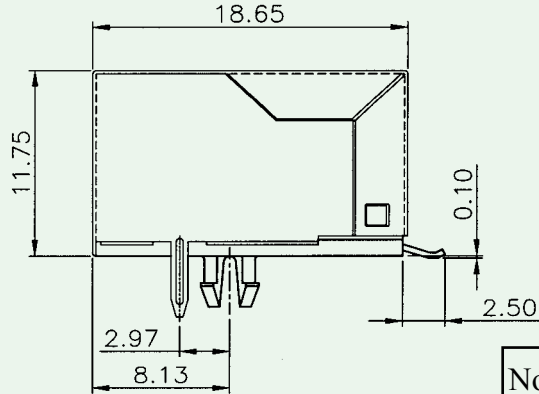
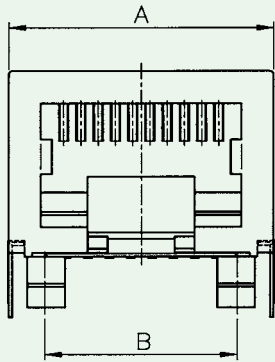




Side Entry PCB Jack (Very Low Profile, SMT Type)



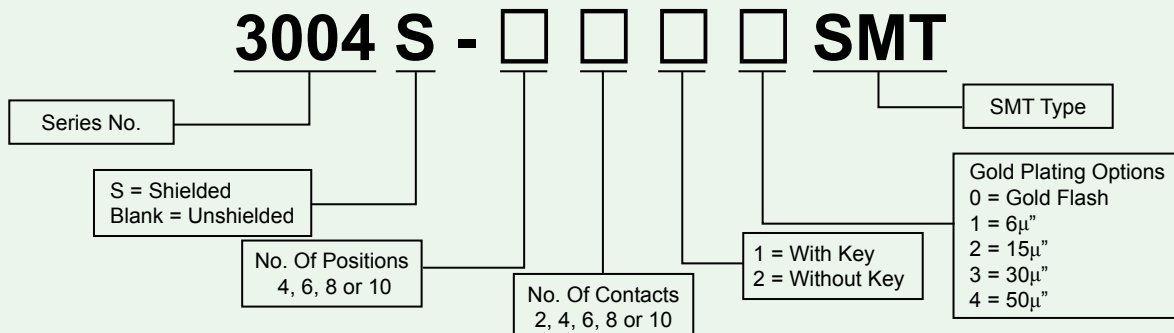
PCB Layout / Top View

No. of Positions	Dimensions			
	A	B	C	D
6	13.56	10.16	6.35	13.57
8	15.74	11.43	8.89	15.54
10	15.74	11.43	11.43	15.54

Materials

- **Shield** : Brass With Nickel Plated.
- **Housing** : High Temp. Thermoplastic.
Flammability Rating UL 94V-0.
- **Contacts** : Phosphor Bronze.
- **Plating** : Gold Plating Over Nickel In Contact Area.
Tin Plating Over Nickel In Solder Area.

Ordering Information

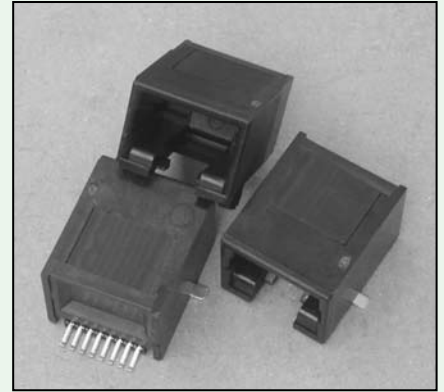
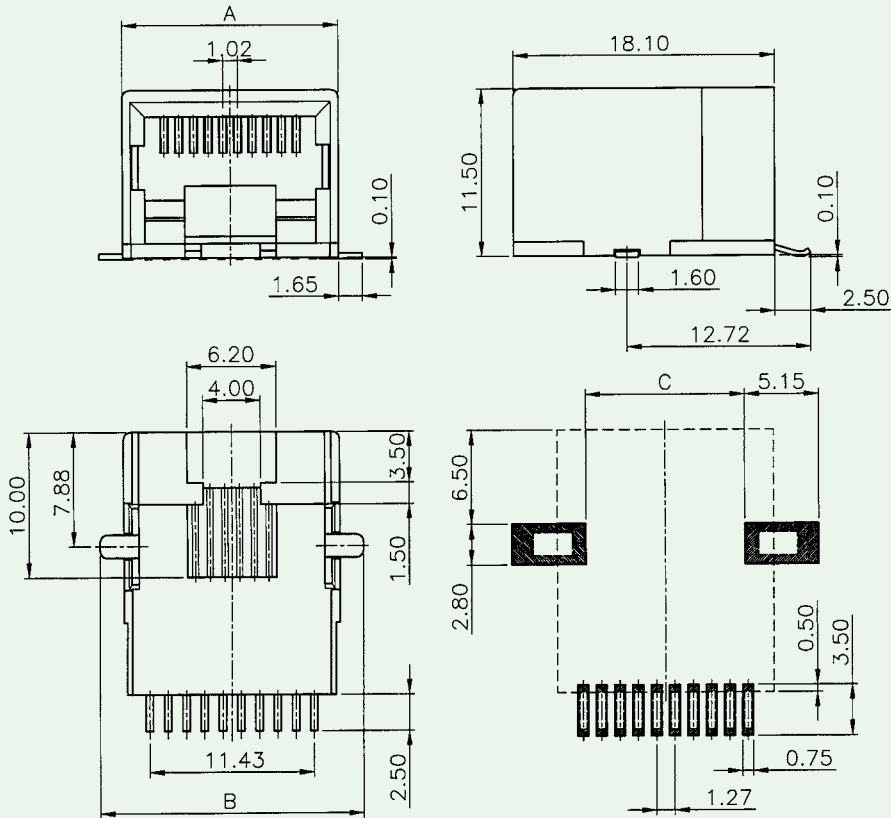


- Options: (1) With or Without Different Grounding Tabs.
(2) More Grounding Pin Spacings.
(3) 4P4C Is Available But Without Shield.



Side Entry PCB Jack (Very Low Profile, With Solder Pad)

KINSUN

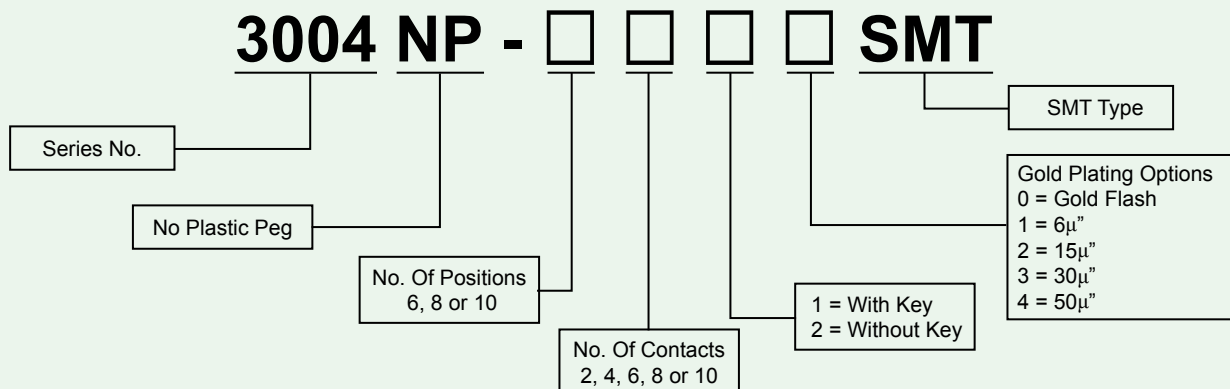


No. of Positions	Dimensions		
	A	B	C
6	13.00	16.30	9.00
8	15.00	18.30	11.00
10	15.00	18.30	11.00

Materials

- **Housing** : High Temp. Thermoplastic.
Flammability Rating UL 94V-0.
- **Contacts** : Phosphor Bronze.
- **Plating** : Gold Plating Over Nickel In Contact Area.
Tin Plating Over Nickel In Solder Area.

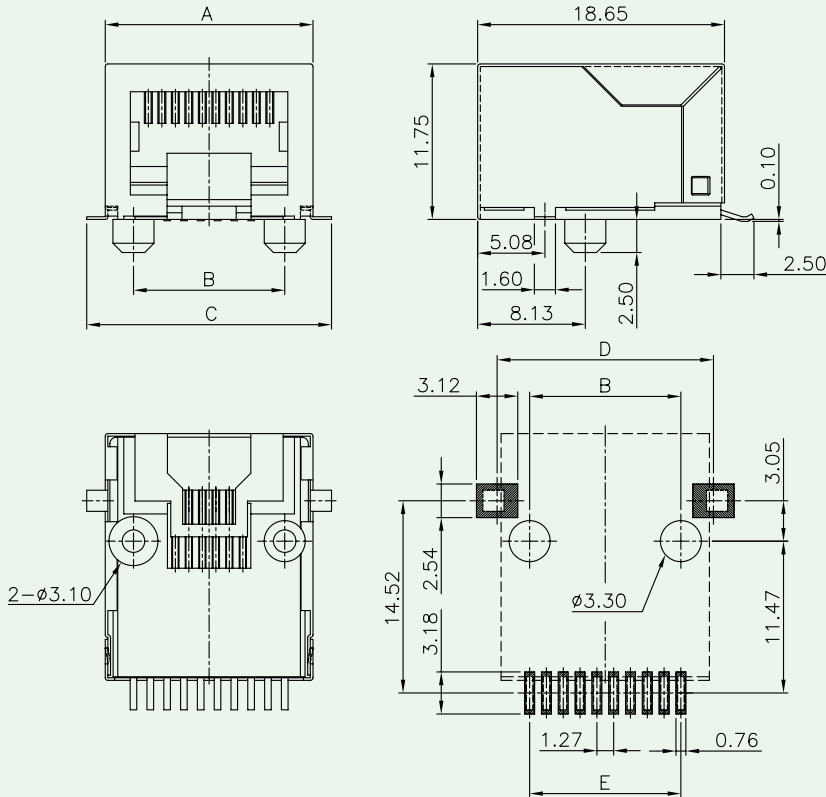
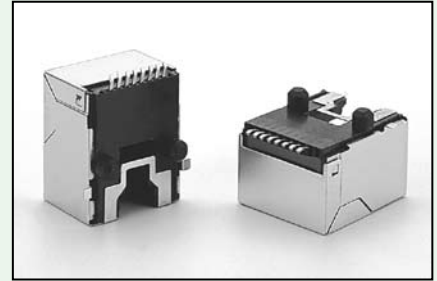
Ordering Information





Side Entry PCB Jack (Very Low Profile, STP With Solder Pad)

KINSUN



No. of Positions	Dimensions				
	A	B	C	D	E
6	13.56	10.16	16.36	13.81	6.35
8	15.74	11.43	18.50	16.35	8.89
10	15.74	11.43	18.50	16.35	11.43

Materials

- **Shield** : Brass With Nickel Plated.
- **Housing** : High Temp. Thermoplastic.
Flammability Rating UL 94V-0.
- **Contacts** : Phosphor Bronze.
- **Plating** : Gold Plating Over Nickel In Contact Area.
Tin Plating Over Nickel In Solder Area.

Ordering Information

