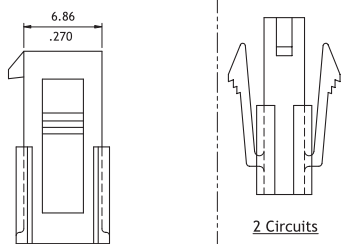
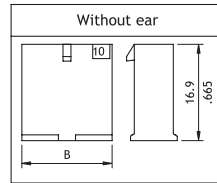
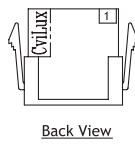
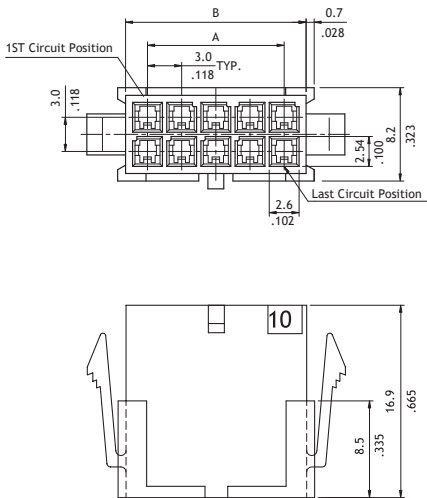


CP35 Series 3.00mm(.118") Dual Row Plug Connectors

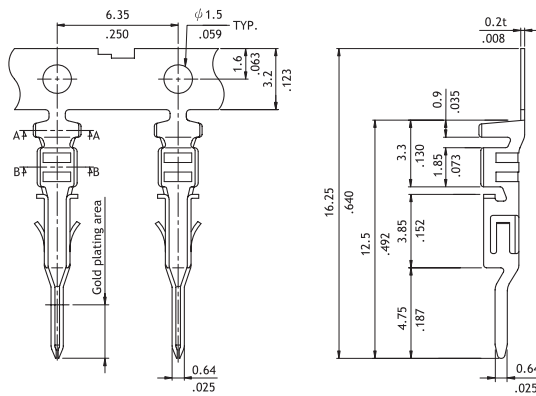
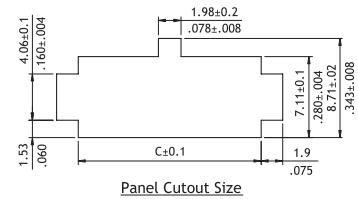
CP

- ⊙ With mounting ears
- ⊙ Available in 2 through 24 circuits
- ⊙ Can be used CP35 Crimp terminal
- ⊙ Thermal Polyester UL 94V-0, Color Black Terminal
- ⊙ Accommodated AWG #20 ~ #30

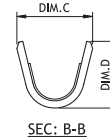
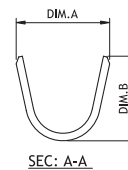
RoHS Compliant



Circuits	Dimension		
	A	B	C
2	—	3.9(.154)	4.09(.161)
4	3.0(.118)	6.9(.272)	7.09(.279)
6	6.0(.236)	9.9(.390)	10.08(.397)
8	9.0(.354)	12.9(.508)	13.08(.515)
10	12.0(.472)	15.9(.626)	16.06(.633)
12	15.0(.591)	18.9(.744)	19.08(.751)
14	18.0(.709)	21.9(.862)	22.07(.869)
16	21.0(.827)	24.9(.980)	25.07(.967)
18	24.0(.945)	27.9(1.098)	26.07(1.105)
20	27.0(1.063)	30.9(1.217)	31.06(1.223)
22	30.0(1.181)	33.9(1.335)	34.06(1.341)
24	33.0(1.299)	36.9(1.453)	37.06(1.459)



P/N	Wire Gauge	Insulation Diameter	Reel Qty	DIM. A	DIM. B	DIM. C	DIM. D
CP35TN1*PEP	AWG #26-#30	1.35 .053 MAX.	12,000 PCS	2.1 (.083)	1.9 (.075)	1.7 (.067)	1.5 (.059)
CP35TN2*PEP	AWG #20-#24	1.80 .071 MAX.	12,000 PCS	2.5 (.098)	2.4 (.094)	2.1 (.083)	2.0 (.079)



Ordering Code

① CP 35 ② 2 4 ③ P ④ 001 ⑤ 0

- ① Series No.
- ② No. of Circuits: 02 to 24
- ③ P = Plug
- ④ Color: 001 = Color Black
- ⑤ Other Options:
0 = Standard ; B = Without Ear
*Special options consult manufacturer

① CP 35 ② TN 2 ③ 1 ④ P ⑤ EP

- ① Series No.
- ② Wire Range:
TN1 = AWG #26 ~ #30
TN2 = AWG #20 ~ #24
- ③ Plating:
1 = Tin over Nickel
A = Selective Gold flash over Nickel
*Optional plating available but MOQ requested
- ④ Material:
P = Phosphor Bronze
- ⑤ Style: EP = Plug Terminal

POWER CONNECTOR