

**HR630201-302**

**Electrical Specification @25°C**

RoHS Compliant (Pb Free)

Isolation: 1000 VAC 0.5mA 2 Sec.(P1-2 to P3-4)

Turns Ratio: P1-2 : P3-4 = 1 : 1

P1-2/P3-4 Inductance: 3.00mH ±30% @10KHz 1.0V

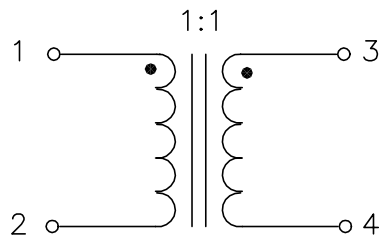
P1-2/P3-4 DC Resistance: 0.080 OHMS MAX

Rated Current: 2.5 A

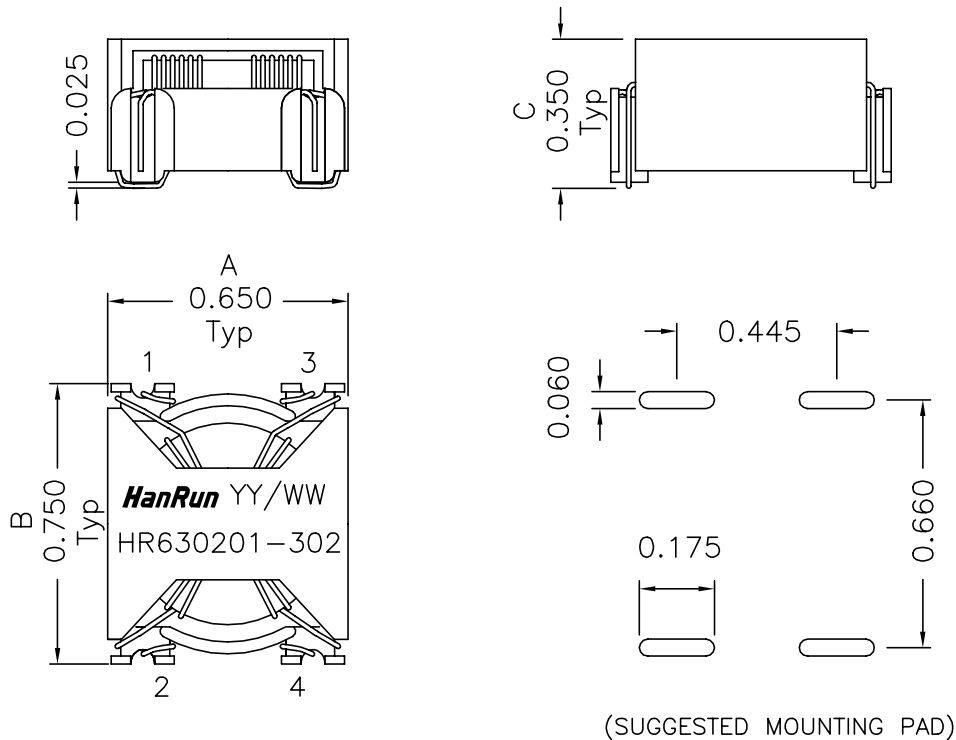
Leakage Inductance: 9.30 uH Typical @100KHz 1.0V, tie(P4-3)

S.R.F: 2.2 MHz

**Schematics**



**Mechanical Dimensions**



(SUGGESTED MOUNTING PAD)

Unless otherwise specified,  
Tol.: .xxx ± 0.010 (inches)