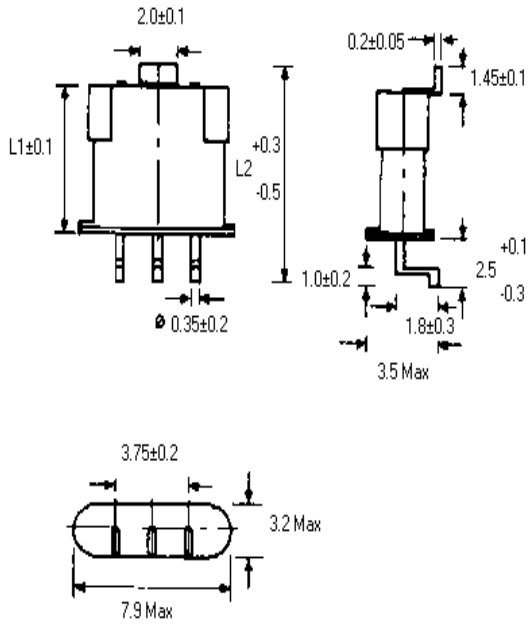


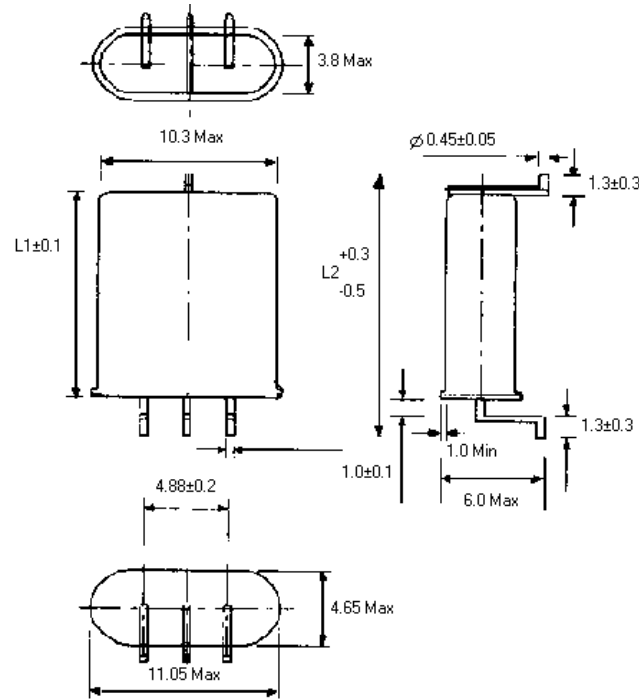
# Dimensions

## UM Series



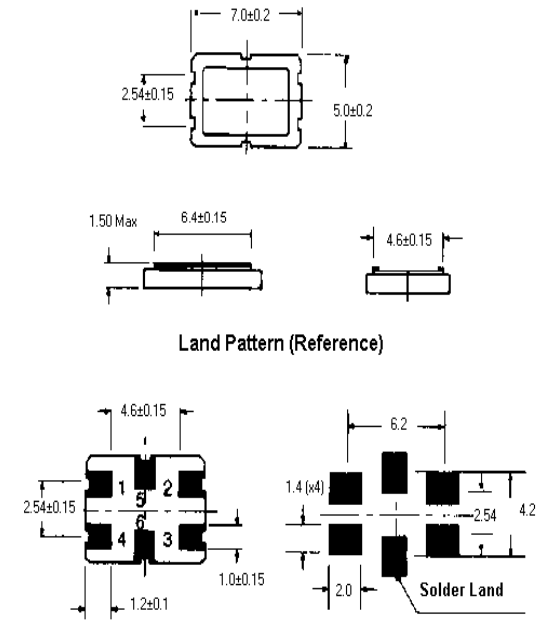
Holder	L1	L2
UM-1S	7.7	11.7
UM-4S	4.6	8.6
UM-5S	5.9	9.9

## 49/U Series



Holder	L1	L2
HC-49/U	17.06	13.1
HC-49/U1	13.46	9.5
HC-49/U2	14.96	11
HC-49/U3	15.36	11.4

## SF-7050



Pin Connect	
2,4	Crystal
1,3,5,6	GND