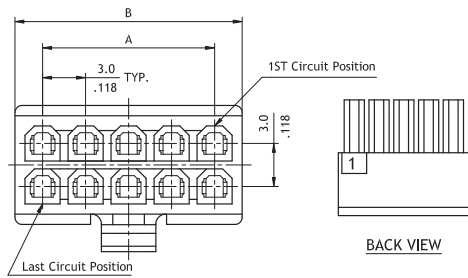


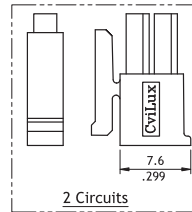
CP35 Series 3.00mm(.118") Dual Row Receptacle Connectors

- ⊙ With locking latch
- ⊙ Available in 2 through 24 circuits
- ⊙ Can be used CP35 Crimp Terminal
- ⊙ Thermal Polyester UL 94V-0, Color Black
- ⊙ Terminal accommodated AWG #20 ~ #30

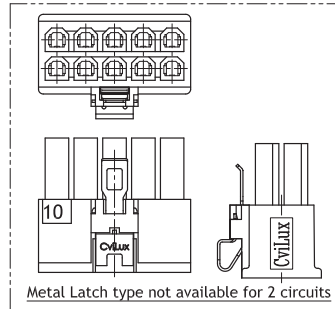
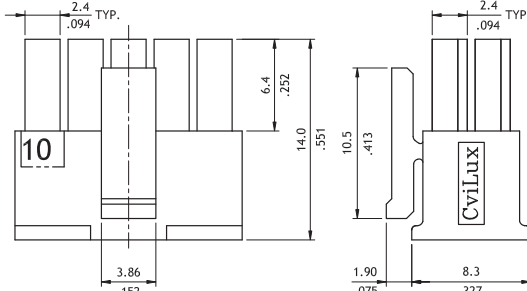
RoHS Compliant  



BACK VIEW

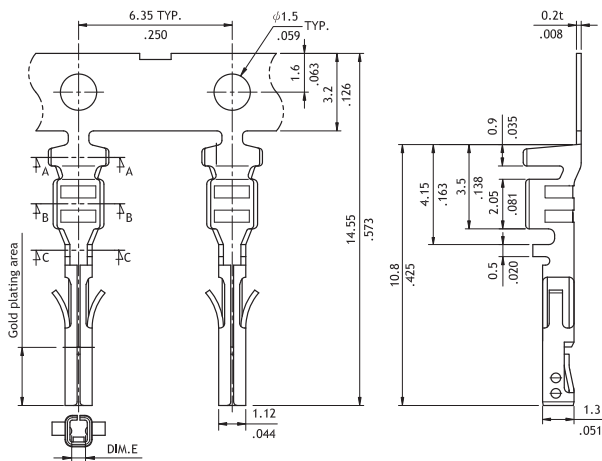


2 Circuits

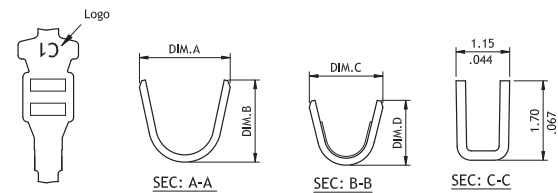


Metal Latch type not available for 2 circuits

Circuits	Dimension	
	A	B
2	—	3.9(.154)
4	3.0(.118)	6.9(.272)
6	6.0(.236)	9.9(.390)
8	9.0(.354)	12.9(.508)
10	12.0(.472)	15.9(.626)
12	15.0(.591)	18.9(.744)
14	18.0(.709)	21.9(.862)
16	21.0(.827)	24.9(.980)
18	24.0(.945)	27.9(1.098)
20	27.0(1.063)	30.9(1.217)
22	30.0(1.181)	33.9(1.335)
24	33.0(1.299)	36.9(1.453)



P/N	Wire Gauge	Insulation Diameter	Reel Qty	DIM.A	DIM.B	DIM.C	DIM.D	DIM.E
CP35TN1*PES	AWG #26-#30	1.35 MAX. .053	12,000 PCS	2.1 (.083)	1.9 (.075)	1.7 (.067)	1.5 (.059)	0.54 (.021)
CP35TN2*PES	AWG #20-#24	1.80 MAX. .071	12,000 PCS	2.5 (.098)	2.4 (.094)	2.1 (.083)	2.0 (.079)	
CP35TN1*PES-B	AWG #26-#30	1.35 MAX. .053	12,000 PCS	2.1 (.083)	1.9 (.075)	1.7 (.067)	1.5 (.059)	0.55 (.022)
CP35TN2*PES-B	AWG #20-#24	1.80 MAX. .071	12,000 PCS	2.5 (.098)	2.4 (.094)	2.1 (.083)	2.0 (.079)	



Ordering Code

① CP 35 ② 24 ③ S ④ 00 ⑤ 1 ⑥ 0

- ① Series No.
 - ② No. of Circuits: 02 to 24
 - ③ S = Receptacle
 - ④ Type: 00 = Standard, ML = Metal Latch Type
 - ⑤ Color: 1 = Color Black
 - ⑥ Other Options: 0 = Standard
- *Special options consult manufacturer

① CP 35 ② TN 2 ③ 1 ④ P ⑤ ES

- ① Series No.
 - ② Wire Range: TN1 = AWG #26 ~ #30, TN2 = AWG #20 ~ #24
 - ③ Plating: 1 = Tin over Nickel, A = Selective Gold flash over Nickel
 - ④ Material: P = Phosphor Bronze
 - ⑤ Style: ES = Receptacle Terminal, ES-B = Low Insertion Force Type
- *Optional plating available but MOQ requested

POWER CONNECTOR