

# MAGNETIC TRANSDUCER

## Shape

KSS-74B20

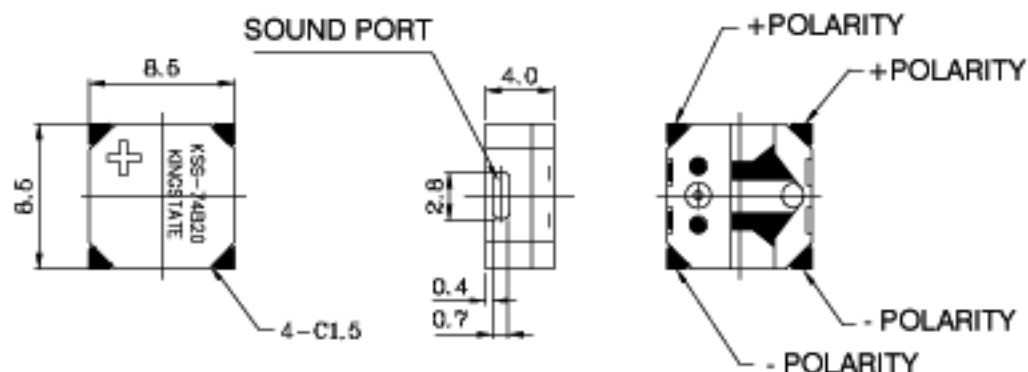
**New**



Rated Voltage (Vo-p)	3.6
Operating Volt. (Vo-p)	3.0 ~ 5.0
Mean Current (mA)	Max. 80
Coil Resistance ( $\Omega$ )	$20 \pm 3$
Sound Output	Min. 90dBA(Typical 97)@5cm
Rated Frequency (Hz)	2730
Operating Temp. ( $^{\circ}\text{C}$ )	-30 ~ +70
Storage Temp. ( $^{\circ}\text{C}$ )	-40 ~ +85
Weight (Gram)	0.7

## Dimension

Tol :  $\pm 0.5$  Unit : mm



## Characteristic

