

# HITACHI

Designed for



Microsoft  
Windows<sup>®</sup>CE

## SH7718/08/02 (SH-3 Series)

### SuperH™ RISC Processor

#### Product Brief

#### Description

The SH7718/SH7708/SH7702 (SH-3 Series) are high performance, cost-effective, and highly integrated 32-bit RISC microprocessors for embedded applications. The SuperH™ architecture is the leader in code density among RISC microprocessors, reducing memory costs in embedded applications.

The SH-3 Series processors are used in consumer, data processing, industrial, and communication markets. Applications include handheld PCs, digital cameras, Internet appliances, security systems, hard disk drives, cellular phones, and protocol converters. The devices can be paired with a user-defined ASIC device to design a low cost, low IC count, and differentiated system.

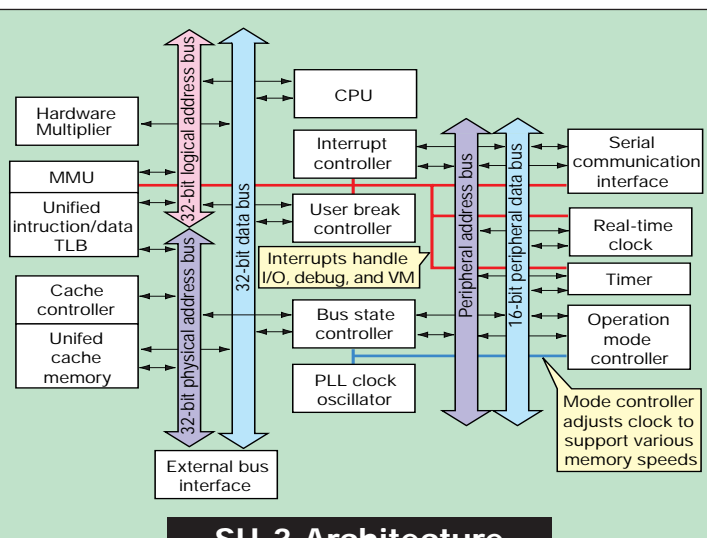
Hitachi optimized the SH7718/SH7708 MMU, cache size, and peripheral mix for Windows®CE applications. The SH7702 offers a reduced cache and package size for cost effective applications and other operating systems.



Hitachi SH-3 32-bit RISC Processor

#### Features

- General
  - 100 MHz/100 MIPS at 3.3 volts: SH7718/SH7708
  - 60 MHz/60 MIPS at 3.3 volts: SH7708
  - 45 MHz/45 MIPS at 3.3 volts: SH7702
  - 144 pin QFP (SH7718)
  - 144 pin TQFP (SH7708)
  - 120 pin TQFP (SH7702)



SH-3 Architecture

- CPU
  - Code compatible with SH7000/7600 series
  - 16 x 32-bit general purpose registers
  - 16-bit fixed instruction length for high code density
  - 32 x 32 --> 64 bits multiply-accumulate unit for special functions such as software modems
  - MMU Designed for Windows®CE 1KB, and 4KB page sizes, 128-entry, 4-way set associative TLB (SH7718/SH7708 only)
  - 5 stage pipeline
- FPU (SH7718 only)
  - Single precision
  - Single cycle FMAC
  - 200 MFLOPS
- Instruction set: 68 basic instruction types
- Memory
  - On-chip cache, unified instruction and data
    - 8KB: SH7718/SH7708
    - 2KB: SH7702
    - Write back or write through, LRU cache
    - Low voltage cache to reduce power consumption
  - On-chip bus state controller allows direct connection to DRAM, SDRAM, SRAM, ROM, and Flash ROM
    - 8, 16, or 32-bit data bus support (SH7718/SH7708)
    - 8 and 16-bit data bus support (SH7702)

- Peripherals
  - Timers, 3chx32-bits
  - Watchdog timer
  - Realtime clock
  - PCMCIA control logic
  - Serial communications interface, 1ch (asynchronous/synchronous, with smart card interface)
  - PLL with x1, x2, (x3 SH7718/SH7708 100 MHz only), x4, external clock capability
    - Interrupt controller
- General purpose I/O, 8 lines (SH7708-60 only)
- Dynamic power control
  - Low power modes: sleep and standby
  - Peripheral turn off capability
  - User break controller for on-chip debugging

## Support

- Hardware:
  - Hitachi E7000 emulator and POD
  - Hitachi low cost evaluation board
  - Hitachi D9000 development platform for SH7708 and Windows®CE
  - Third party emulators - Hewlett-Packard, Orion
- Software:
  - Hitachi:
    - C, C++ compiler, assembler, simulator/debugger
  - Third parties:
    - C, C++ compiler, assembler, simulator/debugger, Cygnus Support (gnu), Green Hills Software, Microsoft® VC++ for Windows CE
    - Task and timing simulation - CARDtools™ Systems
- Operating Systems:
  - Geoworks, Hitachi OS, Java, LINUX, Nucleus+, OS-9, pSOS, VxWorks, Windows®CE

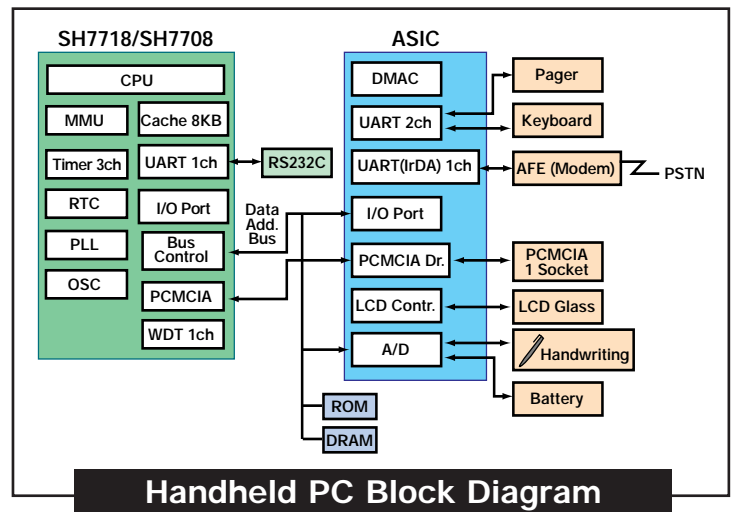
## Middleware

- V.34 (up to 56 Kbps) Data/FAX software modem
- Voice recognition
- Voice compression
- Handwriting recognition
- JPEG video compression
- Image compression for FAX: MH, MR, MMR

## Ordering Information

### Part numbers:

SH7718R-HD6417718F100 (100 MHz, QFP)  
 SH7708R-HD6417708RF100 (100 MHz, QFP-144)  
 SH7708S-HD6417708SF60 (60 MHz, QFP-144)  
 SH7708S-HD6417708SX60 (60 MHz, TQFP-144)  
 SH7702-HD6417702X45 (45 MHz, TQFP-120)



Complete SH-3 technical documentation is online at:  
<http://www.hitachi.com/semiconductor>

This document may, wholly or partially, be subject to change without notice.

## Contacts

### Sales & Marketing Headquarters

Hitachi Semiconductor (America) Inc.  
 2000 Sierra Point Parkway  
 Brisbane, CA 94005  
 Literature Requests:  
 1-800-285-1601  
[www.hitachi.com/semiconductor](http://www.hitachi.com/semiconductor)

### Western

Hitachi Semiconductor (America) Inc.  
 1740 Technology Dr., Suite 500  
 San Jose, CA 95110  
 (408) 451-9570

### Central

Hitachi Semiconductor (America) Inc.  
 Two Lincoln Centre  
 5420 LBJ Freeway, Suite 1446  
 Dallas, TX 75240  
 (214) 991-4510

### Eastern

Hitachi Semiconductor (America) Inc.  
 25 Mall Road  
 Burlington, MA 01803  
 (617) 229-2150

### Southwest

Hitachi Semiconductor (America) Inc.  
 2030 Main Street  
 Suite 450  
 Irvine, CA 92714  
 (714) 553-8500

### Mountain Pacific

Hitachi Semiconductor (America) Inc.  
 4600 S. Ulster Street  
 Suite 690  
 Denver, CO 80237  
 (303) 779-5535

### Bloomington

Hitachi Semiconductor (America) Inc.  
 3800 W. 80th Street, Suite 1550  
 Bloomington, MN 55431  
 (612) 896-3444

### Great Lakes

Hitachi Semiconductor (America) Inc.  
 Fairlane Plaza North, Suite 311  
 290 Town Center Drive  
 Dearborn, MI 48126  
 (313) 271-4410

### North Central

Hitachi Semiconductor (America) Inc.  
 500 Park Boulevard  
 Suite 415  
 Itasca, IL 60143  
 (708) 773-4864

### South Central

Hitachi Semiconductor (America) Inc.  
 One Westchase Center  
 10777 Westheimer Dr.  
 Suite 1040  
 Houston, TX 77042  
 (713) 974-0534

### IBM Engineering

Hitachi Semiconductor (America) Inc.  
 6907 Capitol of Texas Hwy.  
 Suite 210  
 Austin, TX 78731  
 (512) 418-9360

### South Eastern/IBM Labs

Hitachi Semiconductor (America) Inc.  
 5511 Capitol Center Dr.  
 Suite 204  
 Raleigh, NC 27606  
 (919) 233-0800

### Mid-Atlantic

Hitachi Semiconductor (America) Inc.  
 325 Columbia Turnpike  
 Suite 203  
 Florham Park, NJ 07932  
 (201) 514-2100

### Southeast

Hitachi Semiconductor (America) Inc.  
 4901 N.W. 17th Way  
 Suite 302  
 Ft. Lauderdale, FL 33309  
 (305) 491-6154

### IBM

Hitachi Semiconductor (America) Inc.  
 21 Old Main Street  
 Suite 206  
 Fishkill, NY 12524  
 (914) 897-3000

### Ottawa

Hitachi (Canadian), Ltd.  
 320 March Road  
 Suite 602  
 Kanata, Ontario,  
 Canada K2K2E3  
 (613) 591-1990

### Toronto

Hitachi (Canadian), Ltd.  
 6740 Campobello Road  
 Mississauga, Ontario  
 Canada L5N 2L8  
 (416) 826-4100

### Calgary

Hitachi (Canadian), Ltd.  
 10655 Southport Road S.W.,  
 Suite 460  
 Calgary, Alberta  
 Canada T2W4Y1  
 (403) 278-1881

## Distributors

**Insight Electronics**  
 (800) 677-7716

**Marshall Electronics**  
 (800) 522-0084

**Repron Electronics**  
 (800) 800-5441

**Sterling Electronics**  
 (800) 745-5500