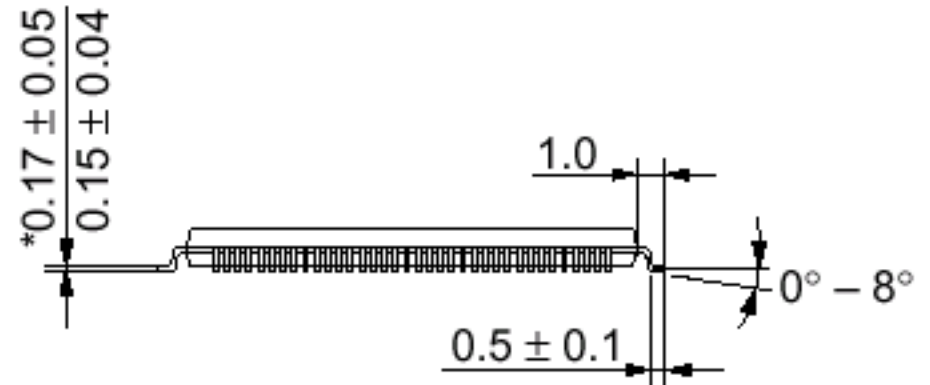
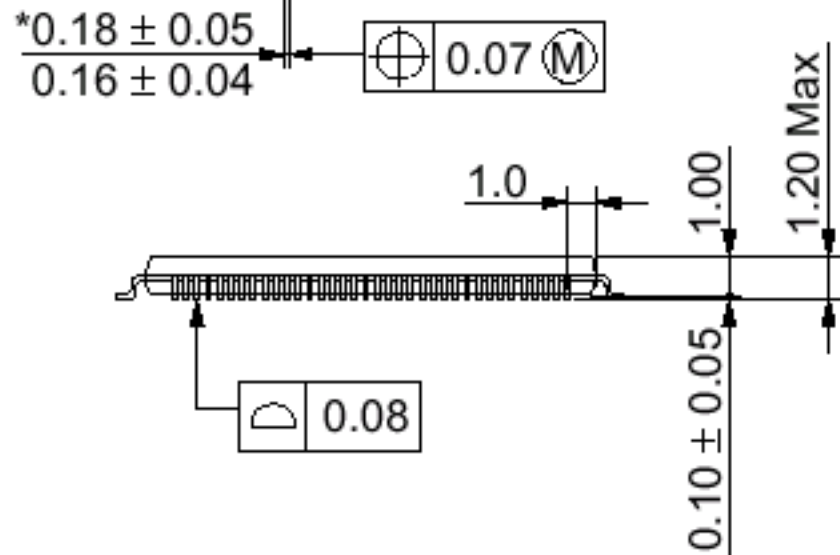
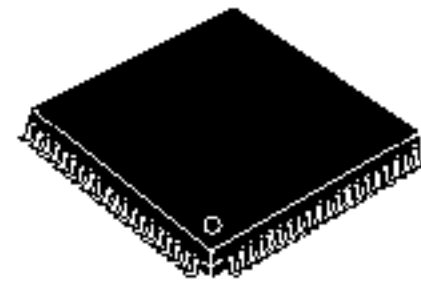
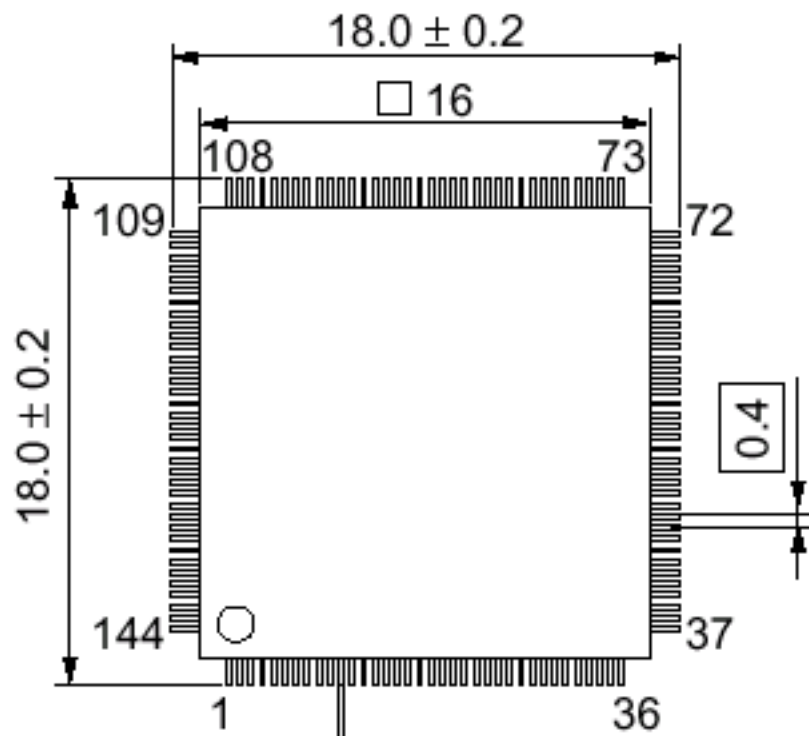


Unit: mm



*Dimension including the plating thickness
Base material dimension

Hitachi Code	TFP-144
JEDEC	—
EIAJ	Conforms
Weight (reference value)	0.6 g