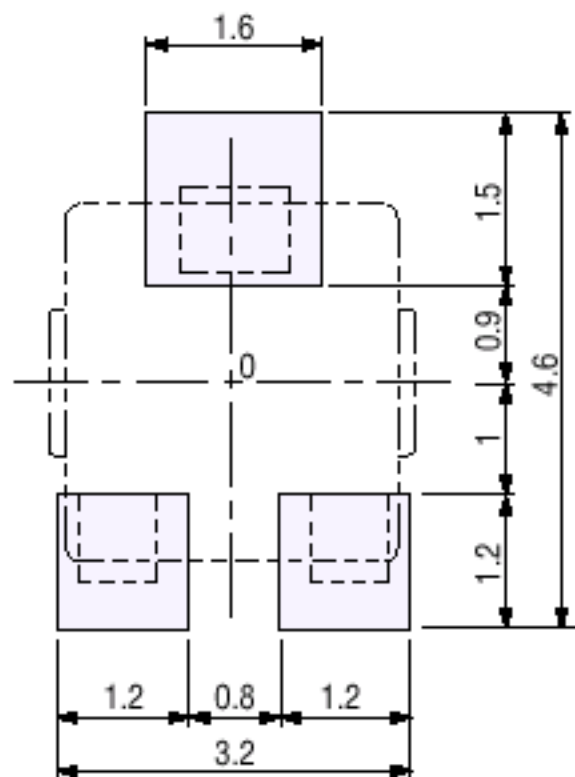
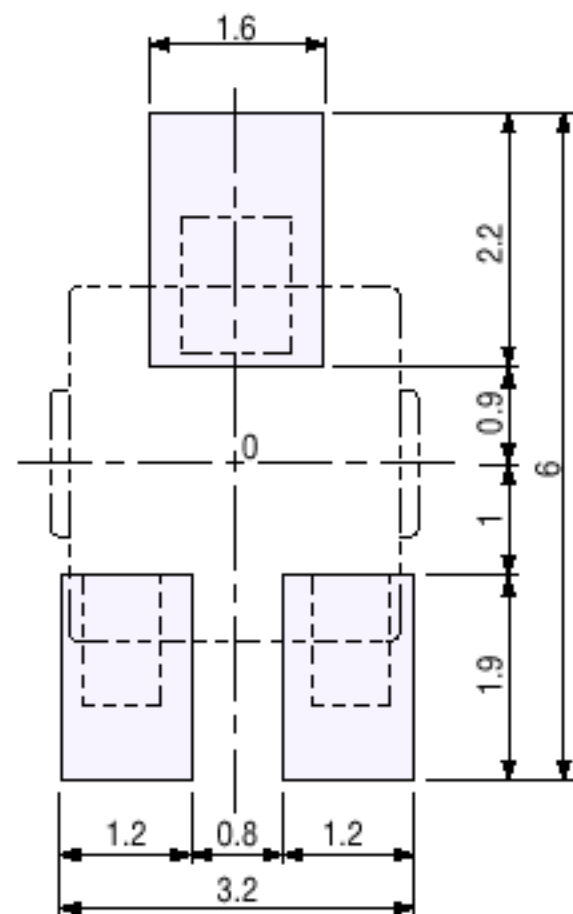


● ST-32A, G



For reflow soldering

● ST-32B, H



(Unit : mm)

Note) The zero point is the center of mounting.