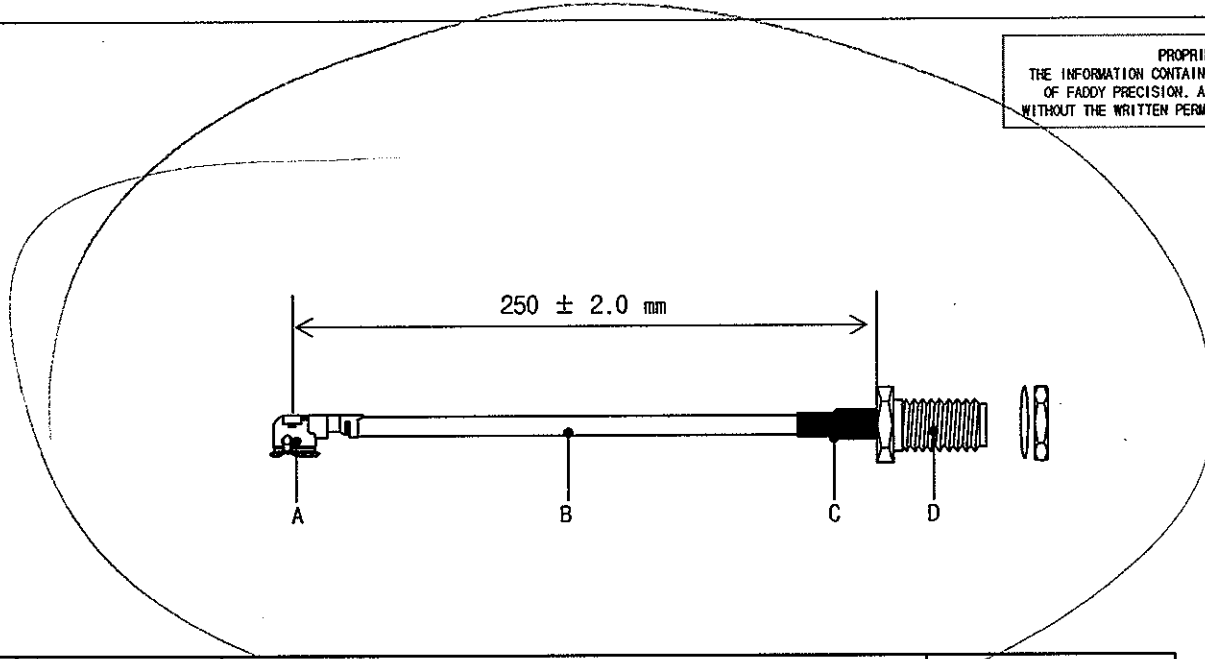




PROPRIETARY AND CONFIDENTIAL  
 THE INFORMATION CONTAINED IN THIS DRAWING IS THE SOLE PROPERTY  
 OF FADDY PRECISION. ANY REPRODUCTION IN PART OR AS A WHOLE  
 WITHOUT THE WRITTEN PERMISSION OF FADDY PRECISION IS PROHIBITED.

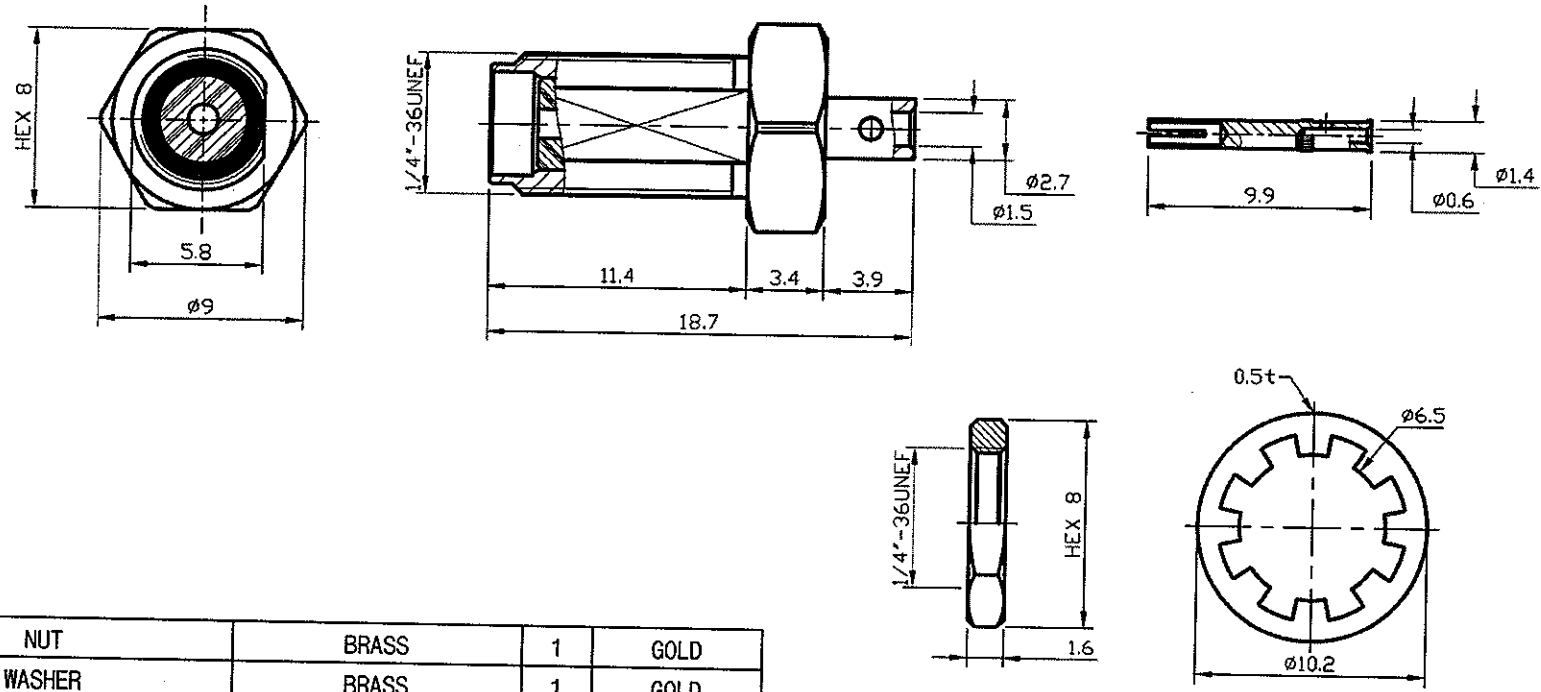


	P/N	DESCRIPTION	UNIT
A		IPX MHF PLUG	1 EA
B		COAXIAL CABLE 1.32DS BLACK	1 EA
C		HEAT SHRINK TUBING	1 EA
D		SMA FEMALE BULKHEAD CONNECTOR	1 EA

				UNLESS OTHERWISE SPECIFIED ALL DIMENSIONS ARE IN mm AND TOLERANCES ARE: INTEGRAL DIMENSIONS ± 0.2 1 PLACE DECIMAL ± 0.2 ANGULAR DIMENSIONS ± 3° 2 PLACE DECIMALS ± 0.2 HOLES UNDER 5.00 ± 0.05			DWG TITLE : IPX-SMAFBH 1.32DS 250mm	
MATERIAL:							CODE DWG NO. 1122132-02501 <span style="float:right">REV A</span>	
FINISH:							SIZE A4 FADDY P/N: 1122132-02501	
PROCESS:							CUST. P/N:	
THIRD ANGLE PROJECTION				DRAWN C.K. 11/25/2015				
				ENGR F.RANK 11/25/2015				
LTR    DATE    REVISION RECORD    CHK				APVD SAM.UEL 11/25/2015	飛迪精密工業有限公司 Faddy Precision Industry Co., Ltd.			



PROPRIETARY AND CONFIDENTIAL  
 THE INFORMATION CONTAINED IN THIS DRAWING IS THE SOLE PROPERTY  
 OF FADDY PRECISION. ANY REPRODUCTION IN PART OR AS A WHOLE  
 WITHOUT THE WRITTEN PERMISSION OF FADDY PRECISION IS PROHIBITED.



5	NUT	BRASS	1	GOLD
4	WASHER	BRASS	1	GOLD
3	INSULATOR	TEFLON	1	
2	BODY	BRASS	1	GOLD
1	CENTER PIN	PHOSPHOR BRONZE	1	GOLD
NO	DESCRIPTION	MATERIAL	Q`TY	FINISH

		UNLESS OTHERWISE SPECIFIED ALL DIMENSIONS ARE IN mm AND TOLERANCES ARE: INTEGRAL DIMENSIONS $\pm 0.2$ 1 PLACE DECIMAL $\pm 0.2$ ANGULAR DIMENSIONS $\pm 1$ 2 PLACE DECIMALS $\pm 0.05$ HOLES UNDER $5.00 \pm 0.05$			CODE	DWG TITLE : SMA FEMALE FOR RG178	
		MATERIAL:			SIZE A4	DWG NO. SMA1078-12 <span style="float:right">REV. A</span>	
		FINISH:				FADDY P/N: SMA1078-12	
		PROCESS:				CUST. P/N:	
		THIRD ANGLE PROJECTION			DRAWN	A.Y.	03/10/2008
					ENGR	F.RANK	03/10/2008
LTR	DATE	REVISION RECORD		CHK	<b>FADDY</b> 飛迪精密工業有限公司 Faddy Precision Industry Co., Ltd.		

FADDY-FRM-2010-A

FADDY-SM1-7803-00178