



## MATERIALS

**FIXED CONTACTS AND TERMINALS:** Stainless steel, silver plated with gold flash (STD.)

**MOVABLE CONTACTS:** Copper alloy, silver plated with gold flash (STD.).

**ACTUATOR:** Glass filled LCP (UL94V-0).

**BASE:** Glass filled LCP (UL94V-0).

**COVER:** Stainless steel.

## WITH LED ELECTRO-OPTICAL DATA :

Lens Appearance	Color	Electro-optical Data(AT 20mA)				Peak wavelength	Viewing Angle 2θ 1/2 (deg)	
		Vf(V)		Iv(mcd)				
		Typ.	Max.	Min.	Typ.			
Water Clear	White	3.3	3.8	4900	10000		30°	
	Red	2.35	2.8	1	3	630	50°	
	Yellow	2.1	2.6	20	35	588	65°	
	Green	2.2	2.6	50	60	570	60°	
	Blue	3.5	3.8	210	550	470	75°	
	Amber (Green)	A	2.1	2.5	19	28	588	55°
		G	2.2	2.6	9	19	570	50°
	Red (Green)	R	2.35	2.8		1	630	
		G	2.2	2.6	6	13	570	

## SPECIFICATIONS

### ELECTRICAL

**MAXIMUM POWER:** 3.5 VA.

**MIN./MAX. VOLTAGE:** 20 mV - 50 VDC.

**MIN./MAX. CURRENT:** 0.01mA - 250 mA.

**INSULATION RESISTANCE:** ≥ 10<sup>9</sup> Ω.

**CONTACT RESISTANCE:** ≥ 50 mΩ.

**DIELECTRIC STRENGTH:** ≥ 250 Vrms.

### MECHANICAL

**OPERATING FORCE:** 2.5 N at Full Travel.

**SWITCHING TRAVEL:** .130" (2.95mm).

**LATCH TRAVEL:** .131" (3.3mm).

**FULL TRAVEL:** .200" (5.1mm).

### OPERATING ENVIRONMENT

**OPERATING TEMPERATURE:** -30°C TO 85°C.

**STORAGE TEMPERATURE:** -30°C TO 85°C.

**RELATIVE HUMIDITY:** 90% R.H. @80°C.

**OPERATING LIFE:** 30,000 Cycles.

**VIBRATION:** Per EIA 186-E Methods 7 & 8.

**MECHANICAL SHOCK:** Per EIA 186-E Methods 12.

### PROCESS ENVIRONMENT

**SOLDERABILITY:** According to Mil STD 202F Method 208D or EIA RS-186E Method 9.

**LEAD FREE PROCESS COMPATIBLE:** 260°C peak, 10 seconds Max. above 250°C.

## HOW TO ORDER

MODEL NO.      BUSHING      LED COLOR      TERMINATIONS      CONTACT MATERIAL      ROHS SOLDERING



MODEL NO.  
**PLS7** SP On-Mom  
**PLSL** SP On-On

BUSHING  
**P2** 9.60 high

ITEM NO	COLOR
0	Without LED
1	White
▲ 3	Red
5	Yellow
6	Green
▲ 7	Blue
A	Amber (Green)
B	Red (Green)

▲ Please check the availability in advance before order

TERMINATIONS  
**M6** Thru - Hole  
**MZ** Surface Mount

CONTACT MATERIAL  
**C** Gold Over Silver

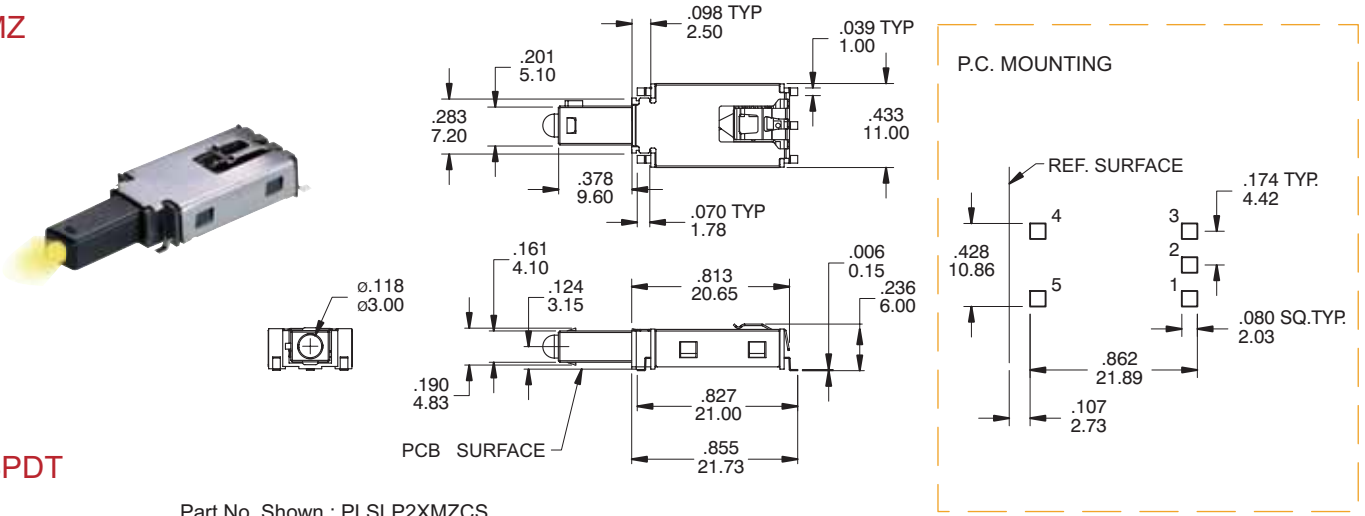
**S** RoHS & Lead Free  
**F** Halogen Free+RoHS +REACH

## SWITCH FUNCTION

NO. POLES	MODEL NO.	SWITCH FUNCTION		CONNECTED TERMINALS		
		POS.1	POS.2	POS.1	POS.2	SCHEMATIC
SP	PLS7	ON	ON(MOM)	3-4	2-3	
SP	PLSL	ON	ON	3-4	2-3	

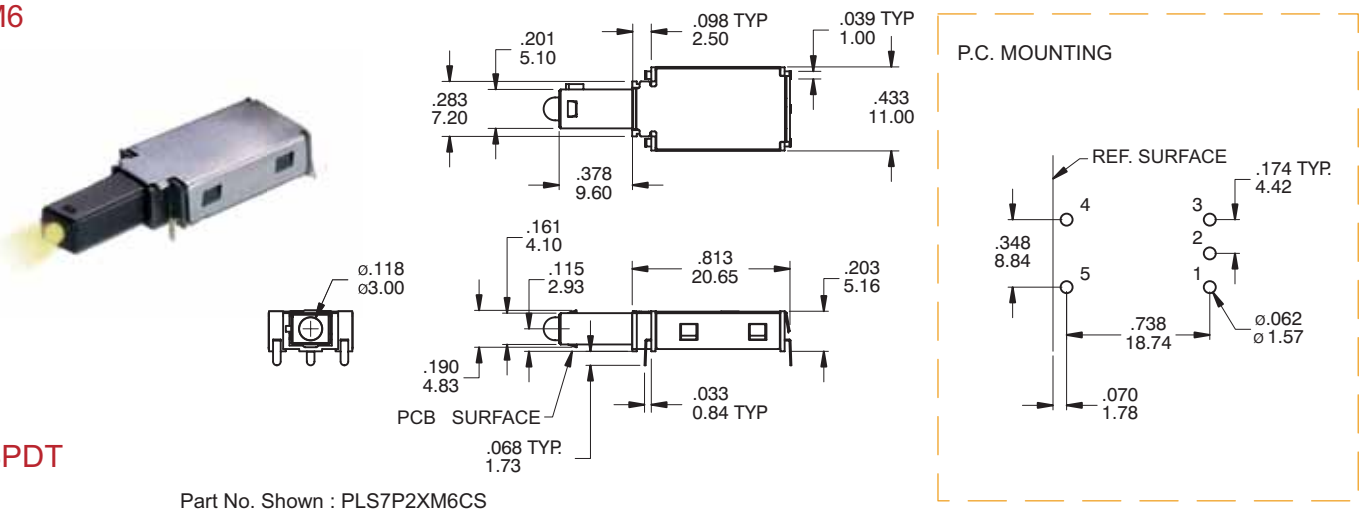
MOM=MENTORY

### MZ



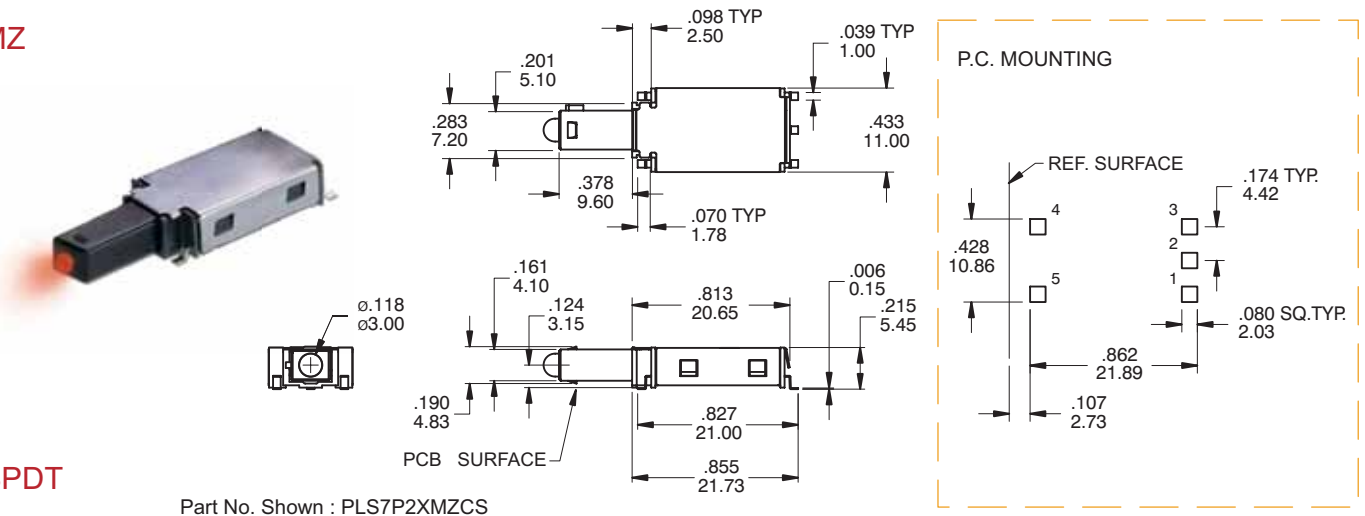
### SPDT

### M6



### SPDT

### MZ

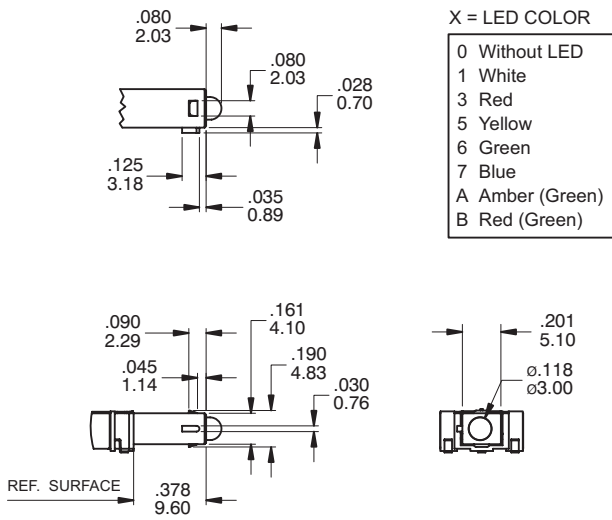


### SPDT

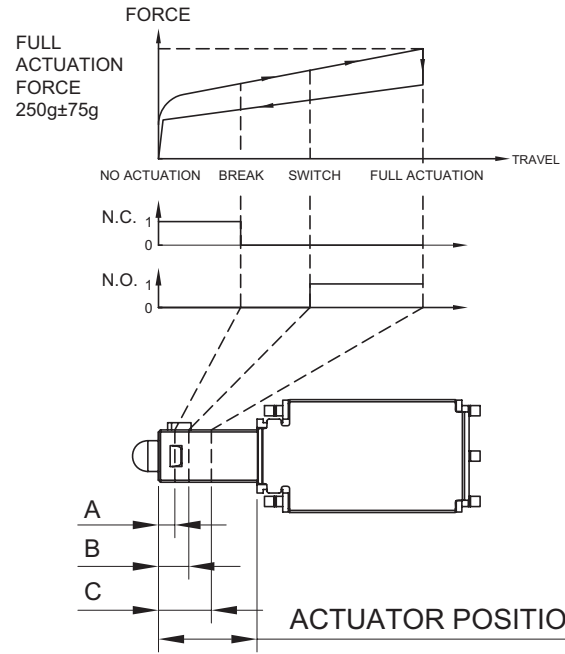
Pushbutton Switches

## ACTUATOR OPTIONS

**P2X** WITHOUT WINDOW AND SNAP FEATURE TO ACCEPT CUSTOM CAP



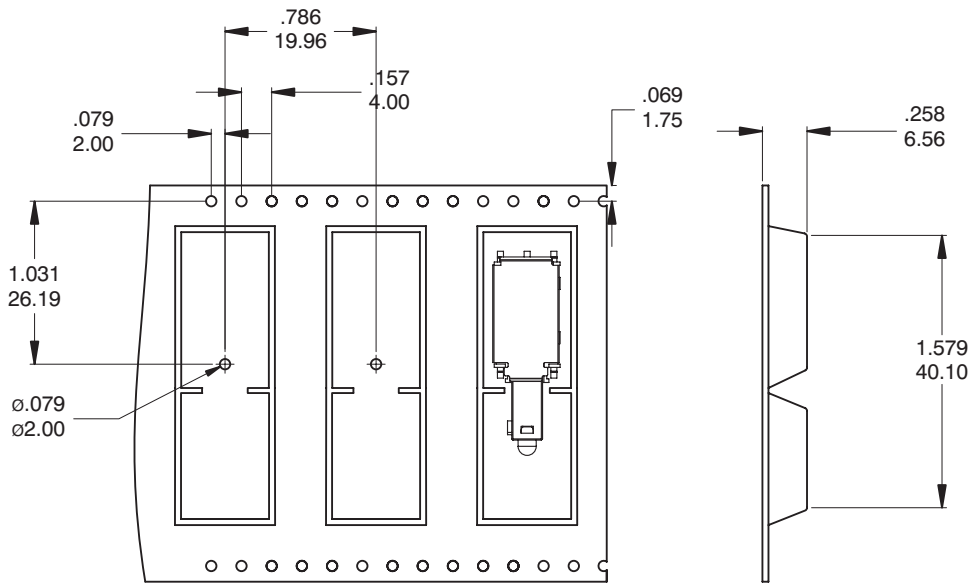
## FORCE TRAVEL DIAGRAM



ACTUATOR POSITION		
A	BREAK	.039±.020 1.0±0.5mm
B	SWITCH	.069±.020 1.75±0.5mm
C	FULL ACTUATION	.203±.020 5.15±0.5mm

## TAPR & REEL

Pushbutton Switches



REEL INFORMATION	
QUANTITY PER REEL	450 / pcs



### SOLDERING PROCESSES

**WAVE SOLDERING** : Recommended Soldering Temperature :  $260 \pm 5^{\circ}\text{C}$   
 Duration of Solder Immersion :  $5 \pm 1$  seconds  
 (PCB is 1.6mm in thickness)

**SOLDERING** : Vapor phase & IR-reflow soldering can be applied.

