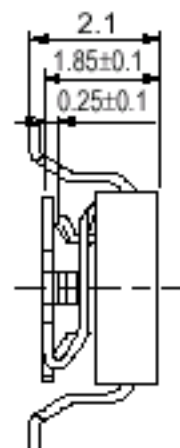
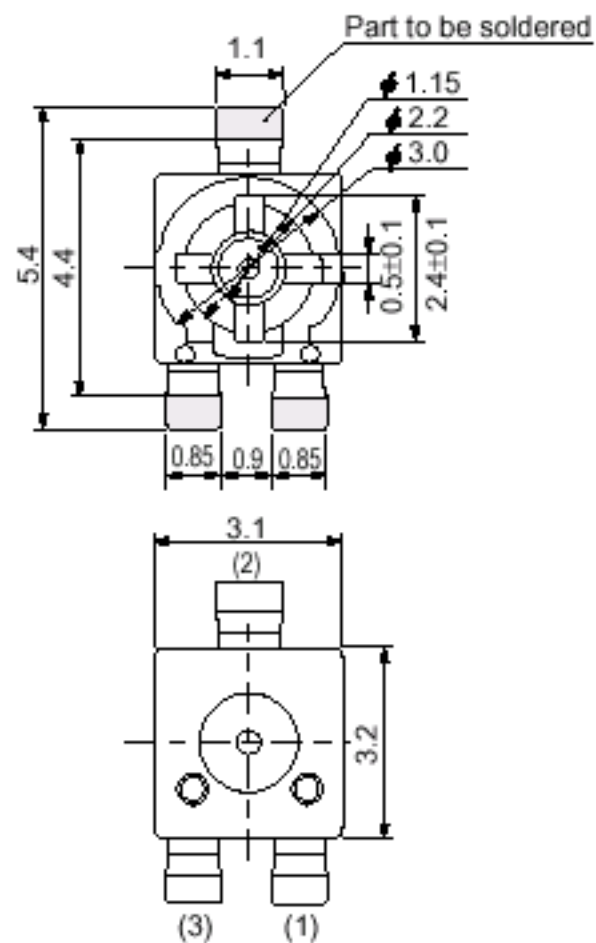
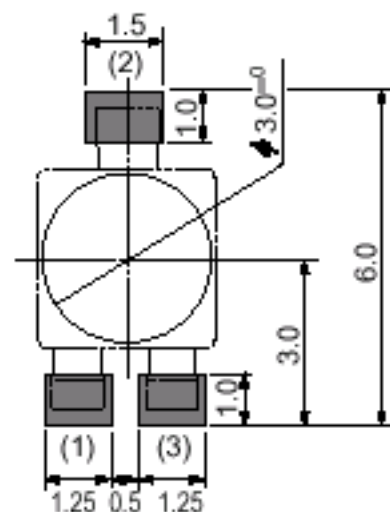


POZ3KN



(Standard tolerance:±0.3
in mm)



(Standard tolerance:±0.1
in mm)