

REV	修改	DATE
A	ECN03889	
B	ECN03915	
C	ECN03923	
D	ECN03930	
E	ECN04243	

**MATERIALS**

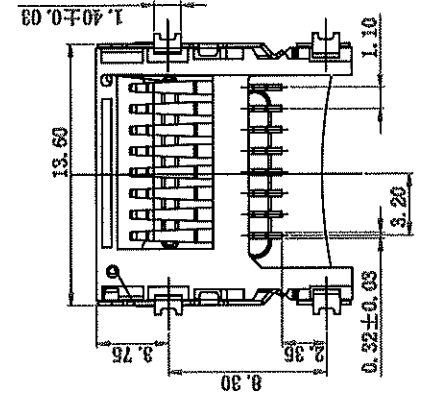
1. HOUSING : THERMOPLASTIC LCP S476-S0M67, UL94 V-0.
2. TERMINAL : COPPER ALLOY, GS191R-BE, T=0.15mm.  
PLATING : 3μ" AU PLATED ON CONTACT AREA,  
800~1200Å PLATED ON SOLDER TAILS,  
500~800Å NICKEL PLATED OVERALL.
3. SHELL : ST5504-1/2E, T=0.20mm.
4. SOLDER : GS191R-BE, T=0.15mm.  
PLATING : 800~1200Å PLATED ON SOLDER TAILS,  
500~800Å NICKEL PLATED OVERALL.

**SPECIFICATION**

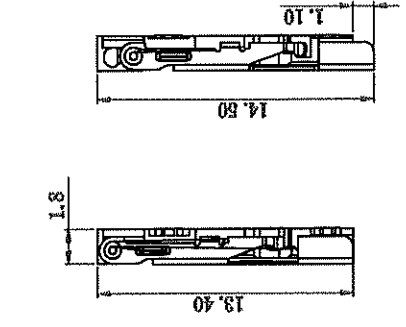
1. CURRENT RATING : 0.5 A. MAX.
2. VOLTAGE RATING: 5V.
3. DIELECTRIC WITHSTANDING VOLTAGE :  
250V AC P.E.S. FOR 1 MINUTE.
4. INSULATION RESISTANCE : 100MΩ MIN. AT 5V DC.
5. CONTACT RESISTANCE : 100MΩ MAX.
6. OPERATING TEMPERATURE : -50° C TO +65° C.
7. DURABILITY: 5000 CYCLES.

**Bill Of Materials:**

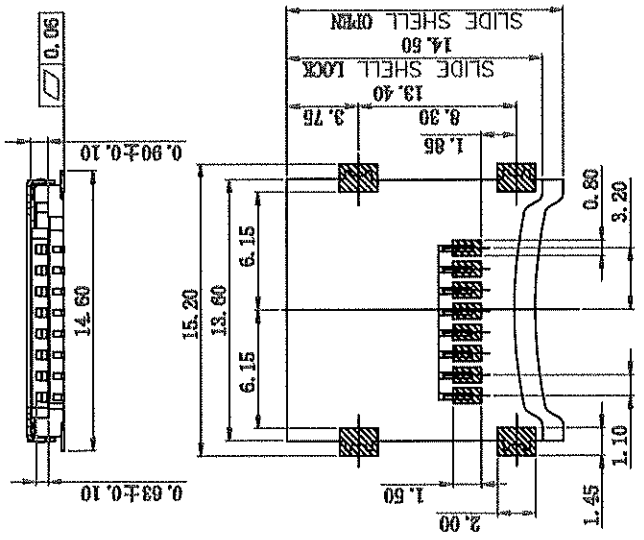
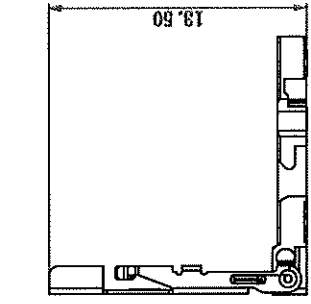
No.	TITLE	MATERIAL	FINISH(OR COLOR)	QTY
1	HOUSING	LCP S476-S0M67, UL94 V-0	原色	1
2	SHELL	STS 504-1/2E	清漆(不电镀)	1
3	TERMINAL	GS191R-BE	鍍金(鍍金2μ", 鍍銀鍍金800~1200Å) 1SET	1SET
4	SOLDER	GS191R-BE	鍍錫 800~1200Å	1SET



SLIDE SHELL LOCK



SLIDE SHELL OPEN



RECOMMEND PCB LAYOUT  
TOLERANCE: ±0.05  
TOP VIEW

PIN6	CLK	PIN4	VD	PIN3	CD	PIN2	CD/DAT3	PIN1	DAT2	PIN NO.	PIN NO.



GENERAL TOLERANCE		KINGCONN	
X± 0.50	X+ 5 *		
X± 0.30	X+ 2 *		
XX± 0.20	XX+ 1 *		
F SOURCE NO:		7MSDH-F0-1012	
F APPROVAL		F ROBOARD	
F INSPECTED		F SOURCE NO: 7MSDH-F0-1012-E	
F SCALE		F SHEET	
F PREL		F REV	