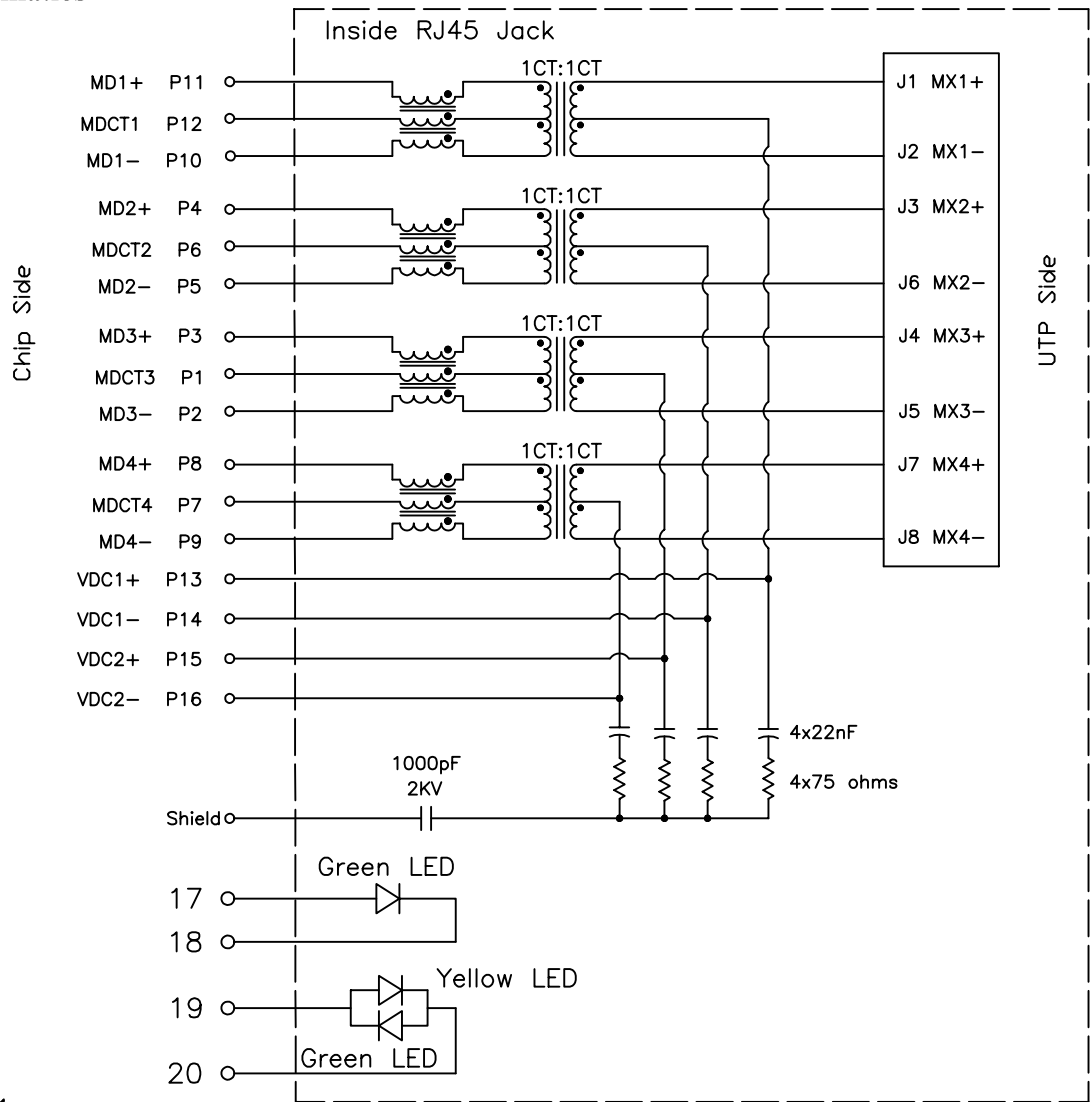


HR911196AE

Electrical Specification @25°C

- RoHS Compliant (PB Free)
- Operating Temperature Range: -40°C ~ +85°C
- Isolation: 1500Vrms 60Hz 0.5mA 1MIN (J1~8 to P1~12)
- OCL: 350uH Minimum @100KHz 100mV with 20mADC Lp
- Turns Ratio: 1CT:1CT ±5%
- Insertion Loss: -1.0dB Typical @1MHz ~ 100MHz
- Return Loss: -16dB Typical @30MHz / -12dB Typical @60MHz ~ 80MHz
-10dB Typical @100MHz
- Common Mode Rejection: -27dB Typical @1MHz ~ 50MHz
-20dB Typical @50MHz ~ 130MHz
- Crosstalk: -44dB Typical @30MHz / -37dB Typical @60MHz / -33dB Typical @100MHz
- Designed to support 600mA DC current ability when using VC1 channel or VC2 channel

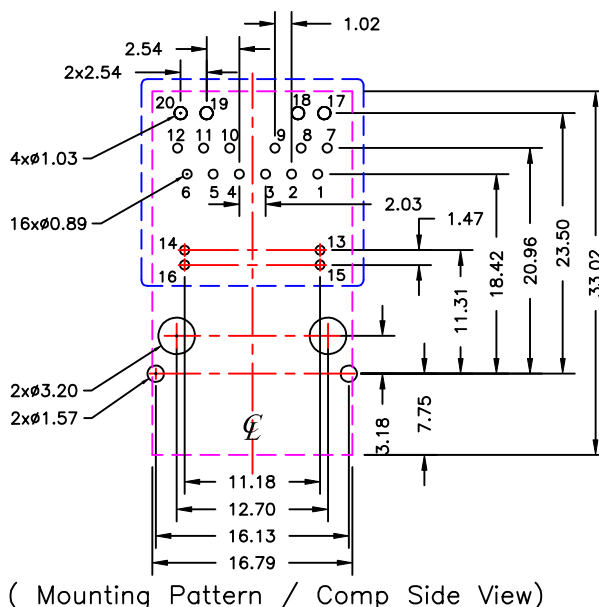
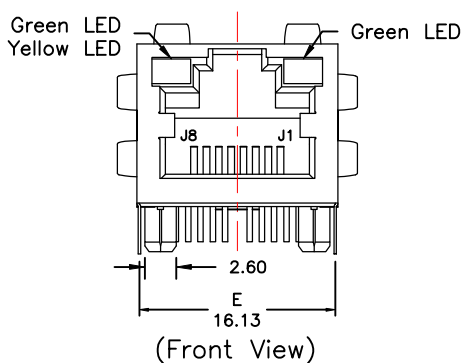
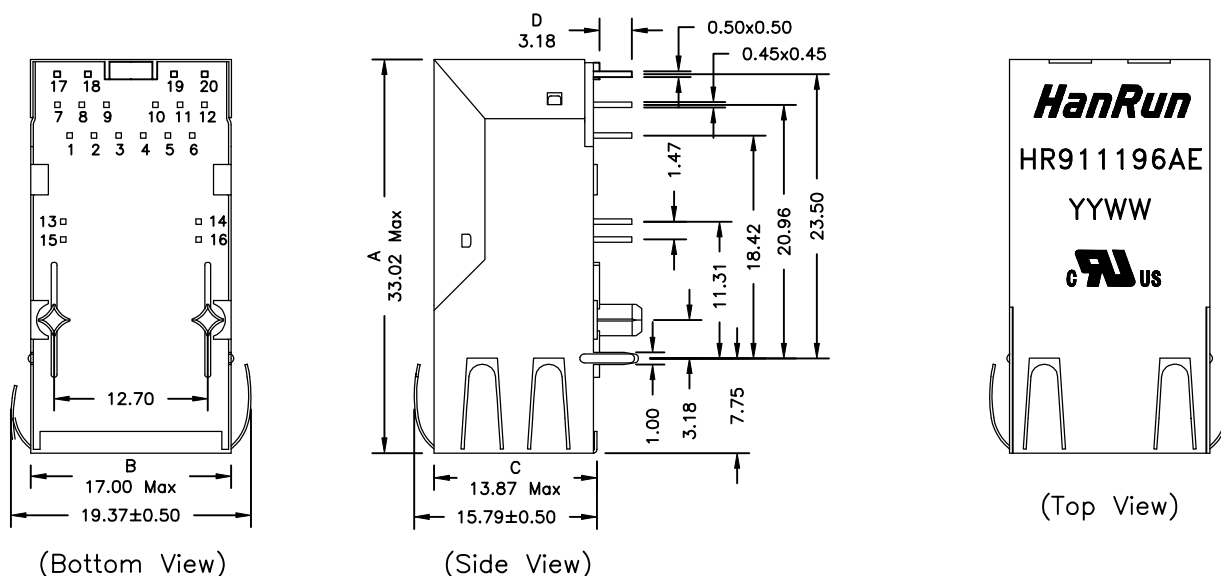
Schematics



HR911196AE

- RoHS Compliant (Pb Free)
- Sing port Tab-UP with internal magnetics for 10/100/1000Base-T
- Meets or Exceeds IEEE802.3at standards including 350uH Min OCL with 20mADC
- High performance for EMI suppression, Crosstalk, Return Loss and Consistent Electrical
- Minimum 1500Vrms isolation per IEEE802.3 requirement
- UL Recognized Component: File # E330599

Mechanical Dimensions:



Standard LED	Wavelength	Forward V (Min/Max)	Forward A	Type
Green	568nm	1.8V/2.8V	20mA	squareness
Green/Yellow	568nm/585nm	1.8V/2.8V	20mA	squareness

Dimensions in mm

Unless otherwise specified, Tolerance: .xx ±0.25

REV.: 01