

Features

- Fixed Output Voltage:
 - 2.048 V, 2.5 V, 3 V, 3.3 V, 4.096 V, and 5 V
- High Initial Accuracy and Low-Temperature Coefficient
 - Grade A: Max 0.1%, 25 ppm/°C
 - Grade B: Max 0.2%, 50 ppm/°C
- Operation Temperature Range: -40°C to 125°C
- Sink Current Capability: 150 µA to 15 mA
- Stable with Any Capacitive Loads
- Package: SOT23G-3

Applications

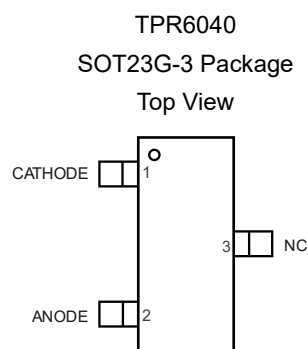
- Power
- Led Lighting
- Current Sensing
- Instrumentation
- Industry

Description

The TPR6040 is a shunt voltage reference with guaranteed temperature stability over the entire operating temperature range. The temperature range is extended from -40 °C up to +125 °C.

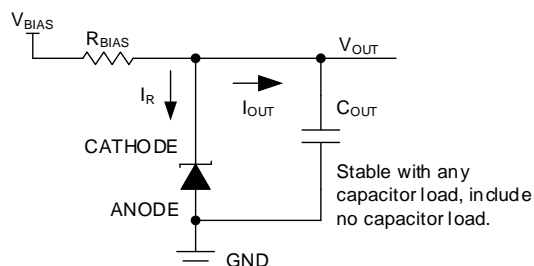
The TPR6040 operates with a wide current range from 0.15 to 15 mA with a typical dynamic impedance of 0.3 Ω.

Pin Configuration



Pin 3 must be left floating or connected to Pin 2

Typical Connection



$$I_R = (V_{BIAS} - V_{OUT}) / R_{BIAS} - I_{OUT}$$

$$I_{RMIN}(0.15mA) \leq I_R \leq I_{RMAX}(15mA)$$

Product Family Table

Order Number	Output Voltage (V)	Grade	Accuracy	Package
TPR6040F20-S3TR	2.048	B	0.2%	SOT23G-3
TPR6040F25-S3TR	2.5	B	0.2%	SOT23G-3
TPR6040F30-S3TR	3	B	0.2%	SOT23G-3
TPR6040F33-S3TR	3.3	B	0.2%	SOT23G-3
TPR6040F40-S3TR	4.096	B	0.2%	SOT23G-3
TPR6040F50-S3TR	5	B	0.2%	SOT23G-3

Table of Contents

Features	1
Applications	1
Description	1
Pin Configuration	1
Typical Connection	1
Product Family Table	2
Revision History	4
Specifications	5
Absolute Maximum Ratings.....	5
ESD, Electrostatic Discharge Protection	5
Recommended Operating Conditions	5
Thermal Information	5
Electrical Characteristics – TPR6040F20, 2.048-V Output.....	6
Electrical Characteristics – TPR6040F25, 2.5-V Output	7
Electrical Characteristics – TPR6040F30, 3-V Output	8
Electrical Characteristics – TPR6040F33, 3.3-V Output	9
Electrical Characteristics – TPR6040F40, 4.096-V Output	10
Electrical Characteristics – TPR6040F50, 5-V Output	11
Typical Performance Characteristics.....	12
Tape and Reel Information	14
Package Outline Dimensions	15
SOT23G-3	15
Order Information	16
IMPORTANT NOTICE AND DISCLAIMER	17

Revision History

Date	Revision	Notes
2019-12-25	Rev.Pre.0	Pre-Release Version.
2020-07-15	Rev.A.0	Initial Release Version.
2020-07-25	Rev.A.1	1. Added pin 3 description in pin configuration. 2. Added Tape and Reel Information.
2022-05-15	Rev.A.2	1. Added maximum value of $\Delta V_R/\Delta I_R$. 2. Added typical value of Long-Term Stability and Thermal Hysteresis. 3. Removed Electrical Characteristics table of 8.192 V and 10 V.
2022-12-01	Rev.A.3	1. Removed A Grade Products (Refer to TPR6040-S Datasheet for A Grade). 2. Removed part number of 8.192 V and 10 V.

Specifications

Absolute Maximum Ratings

Parameter		Min	Max	Unit
Reverse Current			20	mA
Forward Current			10	mA
T _J	Maximum Junction Temperature	-40	150	°C
T _A	Operating Temperature Range	-40	125	°C
T _{STG}	Storage Temperature Range	-65	150	°C
T _L	Lead Temperature (Soldering 10 sec)		260	°C

(1) Stresses beyond those listed under Absolute Maximum Ratings may cause permanent damage to the device. Exposure to any Absolute Maximum Rating condition for extended periods may affect device reliability and lifetime.

ESD, Electrostatic Discharge Protection

Parameter		Condition	Minimum Level	Unit
HBM	Human Body Model ESD	ANSI/ESDA/JEDEC JS-001 ⁽¹⁾	4000	V
CDM	Charged Device Model ESD	ANSI/ESDA/JEDEC JS-002 ⁽²⁾	1000	V

(1) JEDEC document JEP155 states that 500-V HBM allows safe manufacturing with a standard ESD control process.

(2) JEDEC document JEP157 states that 250-V CDM allows safe manufacturing with a standard ESD control process.

Recommended Operating Conditions

Parameter		Min	Max	Unit
I _R	Cathode Reverse Current	0.15	15	mA

Thermal Information

Package Type	θ_{JA}	θ_{JC}	Unit
SOT23G-3	250	81	°C/W

Electrical Characteristics – TPR6040F20, 2.048-V Output

 All test conditions: $T_A = +25^\circ\text{C}$, unless otherwise noted.

Symbol	Parameter	Conditions	Min	Typ	Max	Unit
V_R	Reverse Breakdown Voltage Tolerance	$I_R = 1\text{ mA}$, A Grade, “-S” suffix	-0.1		0.1	%
		$I_R = 1\text{ mA}$, B Grade	-0.2		0.2	%
$\Delta V_R/\Delta V_T$	Average Reverse Breakdown Voltage Temperature Coefficient	$I_R = 1\text{ mA}$, A Grade, “-S” suffix $T_A = -40\text{ to }125^\circ\text{C}$	-25		25	ppm
		$I_R = 1\text{ mA}$, B Grade $T_A = -40\text{ to }125^\circ\text{C}$	-50		50	ppm
I_{RMIN}	Minimum Operating Current			100	150	μA
		$T_A = -40\text{ to }125^\circ\text{C}$			150	μA
$\Delta V_R/\Delta I_R$	Reverse Breakdown Voltage Change with Operating Current Change ⁽¹⁾	$I_{RMIN} \leq I_R < 1\text{ mA}$			0.8	mV
		$I_{RMIN} \leq I_R < 1\text{ mA}$, $T_A = -40\text{ to }125^\circ\text{C}$			1	mV
		$I_{RMIN} \leq I_R < 15\text{ mA}$			2	mV
		$I_{RMIN} \leq I_R < 15\text{ mA}$, $T_A = -40\text{ to }125^\circ\text{C}$			3	mV
Noise	Wideband Noise	$I_R = 100\ \mu\text{A}$, $10\text{ Hz} \leq f \leq 10\text{ kHz}$		72		μV_{RMS}
	Output Voltage Noise	$f = 0.1\text{ Hz to }10\text{ Hz}$		40		μV_{PP}
Z_R	Reverse Dynamic Impedance	$I_R = 1\text{ mA}$, $f = 120\text{ Hz}$		0.3	0.8	Ω
LTD	Long-Term Stability	0 to 1000 hours		200		ppm
		1000 to 2000 hours		200		ppm
TH	Thermal Hysteresis			80		ppm

(1) The changing output due to die temperature change must be considered separately.

Electrical Characteristics – TPR6040F25, 2.5-V Output

 All test conditions: $T_A = +25^\circ\text{C}$, unless otherwise noted.

Symbol	Parameter	Conditions	Min	Typ	Max	Unit
V_R	Reverse Breakdown Voltage Tolerance	$I_R = 1\text{ mA}$, A Grade, “-S” suffix	-0.1		0.1	%
		$I_R = 1\text{ mA}$, B Grade	-0.2		0.2	%
$\Delta V_R/\Delta V_T$	Average Reverse Breakdown Voltage Temperature Coefficient	$I_R = 1\text{ mA}$, A Grade, “-S” suffix $T_A = -40\text{ to }125^\circ\text{C}$	-25		25	ppm
		$I_R = 1\text{ mA}$, B Grade, $T_A = -40\text{ to }125^\circ\text{C}$	-50		50	ppm
I_{RMIN}	Minimum Operating Current			100	150	μA
		$T_A = -40\text{ to }125^\circ\text{C}$			150	μA
$\Delta V_R/\Delta I_R$	Reverse Breakdown Voltage Change with Operating Current Change ⁽¹⁾	$I_{RMIN} \leq I_R < 1\text{ mA}$			0.8	mV
		$I_{RMIN} \leq I_R < 1\text{ mA}$, $T_A = -40\text{ to }125^\circ\text{C}$			1	mV
		$I_{RMIN} \leq I_R < 15\text{ mA}$			2	mV
		$I_{RMIN} \leq I_R < 15\text{ mA}$, $T_A = -40\text{ to }125^\circ\text{C}$			3	mV
Noise	Wideband Noise	$I_R = 100\ \mu\text{A}$, $10\text{ Hz} \leq f \leq 10\text{ kHz}$		90		μV_{RMS}
	Output Voltage Noise	$f = 0.1\text{ Hz to }10\text{ Hz}$		50		μV_{PP}
Z_R	Reverse Dynamic Impedance	$I_R = 1\text{ mA}$, $f = 120\text{ Hz}$		0.3	0.8	Ω
LTD	Long-Term Stability	0 to 1000 hours		200		ppm
		1000 to 2000 hours		200		ppm
TH	Thermal Hysteresis			80		ppm

(1) The changing output due to die temperature change must be considered separately.

Electrical Characteristics – TPR6040F30, 3-V Output

 All test conditions: $T_A = +25^\circ\text{C}$, unless otherwise noted.

Symbol	Parameter	Conditions	Min	Typ	Max	Unit
V_R	Reverse Breakdown Voltage Tolerance	$I_R = 1\text{ mA}$, A Grade, “-S” suffix	-0.1		0.1	%
		$I_R = 1\text{ mA}$, B Grade	-0.2		0.2	%
$\Delta V_R/\Delta V_T$	Average Reverse Breakdown Voltage Temperature Coefficient	$I_R = 1\text{ mA}$, A Grade, “-S” suffix $T_A = -40\text{ to }125^\circ\text{C}$	-25		25	ppm
		$I_R = 1\text{ mA}$, B Grade, $T_A = -40\text{ to }125^\circ\text{C}$	-50		50	ppm
I_{RMIN}	Minimum Operating Current			100	150	μA
		$T_A = -40\text{ to }125^\circ\text{C}$			150	μA
$\Delta V_R/\Delta I_R$	Reverse Breakdown Voltage Change with Operating Current Change ⁽¹⁾	$I_{RMIN} \leq I_R < 1\text{ mA}$			1	mV
		$I_{RMIN} \leq I_R < 1\text{ mA}$, $T_A = -40\text{ to }125^\circ\text{C}$			1.2	mV
		$I_{RMIN} \leq I_R < 15\text{ mA}$			2.4	mV
		$I_{RMIN} \leq I_R < 15\text{ mA}$, $T_A = -40\text{ to }125^\circ\text{C}$			3.6	mV
Noise	Wideband Noise	$I_R = 100\ \mu\text{A}$, $10\text{ Hz} \leq f \leq 10\text{ kHz}$		108		μV_{RMS}
	Output Voltage Noise	$f = 0.1\text{ Hz to }10\text{ Hz}$		60		μV_{PP}
Z_R	Reverse Dynamic Impedance	$I_R = 1\text{ mA}$, $f = 120\text{ Hz}$		0.3	0.8	Ω
LTD	Long-Term Stability	0 to 1000 hours		200		ppm
		1000 to 2000 hours		200		ppm
TH	Thermal Hysteresis			80		ppm

(1) The changing output due to die temperature change must be considered separately.

Electrical Characteristics – TPR6040F33, 3.3-V Output

 All test conditions: $T_A = +25^\circ\text{C}$, unless otherwise noted.

Symbol	Parameter	Conditions	Min	Typ	Max	Unit
V_R	Reverse Breakdown Voltage Tolerance	$I_R = 1\text{ mA}$, A Grade, "-S" suffix	-0.1		0.1	%
		$I_R = 1\text{ mA}$, B Grade	-0.2		0.2	%
$\Delta V_R/\Delta V_T$	Average Reverse Breakdown Voltage Temperature Coefficient	$I_R = 1\text{ mA}$, A Grade, "-S" suffix $T_A = -40\text{ to }125^\circ\text{C}$	-25		25	ppm
		$I_R = 1\text{ mA}$, B Grade, $T_A = -40\text{ to }125^\circ\text{C}$	-50		50	ppm
I_{RMIN}	Minimum Operating Current			100	150	μA
		$T_A = -40\text{ to }125^\circ\text{C}$			150	μA
$\Delta V_R/\Delta I_R$	Reverse Breakdown Voltage Change with Operating Current Change ⁽¹⁾	$I_{RMIN} \leq I_R < 1\text{ mA}$			1.1	mV
		$I_{RMIN} \leq I_R < 1\text{ mA}$, $T_A = -40\text{ to }125^\circ\text{C}$			1.4	mV
		$I_{RMIN} \leq I_R < 15\text{ mA}$			2.7	mV
		$I_{RMIN} \leq I_R < 15\text{ mA}$, $T_A = -40\text{ to }125^\circ\text{C}$			4	mV
Noise	Wideband Noise	$I_R = 100\ \mu\text{A}$, $10\text{ Hz} \leq f \leq 10\text{ kHz}$		119		μV_{RMS}
	Output Voltage Noise	$f = 0.1\text{ Hz to }10\text{ Hz}$		66		μV_{PP}
Z_R	Reverse Dynamic Impedance	$I_R = 1\text{ mA}$, $f = 120\text{ Hz}$		0.3	0.8	Ω
LTD	Long-Term Stability	0 to 1000 hours		200		ppm
		1000 to 2000 hours		200		ppm
TH	Thermal Hysteresis			80		ppm

(1) The changing output due to die temperature change must be considered separately.

Electrical Characteristics – TPR6040F40, 4.096-V Output

 All test conditions: $T_A = +25^\circ\text{C}$, unless otherwise noted.

Symbol	Parameter	Conditions	Min	Typ	Max	Unit
V_R	Reverse Breakdown Voltage Tolerance	$I_R = 1\text{ mA}$, A Grade, “-S” suffix	-0.1		0.1	%
		$I_R = 1\text{ mA}$, B Grade	-0.2		0.2	%
$\Delta V_R/\Delta V_T$	Average Reverse Breakdown Voltage Temperature Coefficient	$I_R = 1\text{ mA}$, A Grade, “-S” suffix $T_A = -40\text{ to }125^\circ\text{C}$	-25		25	ppm
		$I_R = 1\text{ mA}$, B Grade, $T_A = -40\text{ to }125^\circ\text{C}$	-50		50	ppm
I_{RMIN}	Minimum Operating Current			100	150	μA
		$T_A = -40\text{ to }125^\circ\text{C}$			150	μA
$\Delta V_R/\Delta I_R$	Reverse Breakdown Voltage Change with Operating Current Change ⁽¹⁾	$I_{RMIN} \leq I_R < 1\text{ mA}$			1.4	mV
		$I_{RMIN} \leq I_R < 1\text{ mA}$, $T_A = -40\text{ to }125^\circ\text{C}$			1.7	mV
		$I_{RMIN} \leq I_R < 15\text{ mA}$			3.3	mV
		$I_{RMIN} \leq I_R < 15\text{ mA}$, $T_A = -40\text{ to }125^\circ\text{C}$			5	mV
Noise	Wideband Noise	$I_R = 100\ \mu\text{A}$, $10\text{ Hz} \leq f \leq 10\text{ kHz}$		148		μV_{RMS}
	Output Voltage Noise	$f = 0.1\text{ Hz to }10\text{ Hz}$		82		μV_{PP}
Z_R	Reverse Dynamic Impedance	$I_R = 1\text{ mA}$, $f = 120\text{ Hz}$		0.3	0.8	Ω
LTD	Long-Term Stability	0 to 1000 hours		200		ppm
		1000 to 2000 hours		200		ppm
TH	Thermal Hysteresis			80		ppm

(1) The changing output due to die temperature change must be considered separately.

Electrical Characteristics – TPR6040F50, 5-V Output

 All test conditions: $T_A = +25^\circ\text{C}$, unless otherwise noted.

Symbol	Parameter	Conditions	Min	Typ	Max	Unit
V_R	Reverse Breakdown Voltage Tolerance	$I_R = 1\text{ mA}$, A Grade, “-S” suffix	-0.1		0.1	%
		$I_R = 1\text{ mA}$, B Grade	-0.2		0.2	%
$\Delta V_R/\Delta V_T$	Average Reverse Breakdown Voltage Temperature Coefficient	$I_R = 1\text{ mA}$, A Grade, “-S” suffix $T_A = -40\text{ to }125^\circ\text{C}$	-25		25	ppm
		$I_R = 1\text{ mA}$, B Grade, $T_A = -40\text{ to }125^\circ\text{C}$	-50		50	ppm
I_{RMIN}	Minimum Operating Current			100	150	μA
		$T_A = -40\text{ to }125^\circ\text{C}$			150	μA
$\Delta V_R/\Delta I_R$	Reverse Breakdown Voltage Change with Operating Current Change ⁽¹⁾	$I_{RMIN} \leq I_R < 1\text{ mA}$			1.6	mV
		$I_{RMIN} \leq I_R < 1\text{ mA}$, $T_A = -40\text{ to }125^\circ\text{C}$			2	mV
		$I_{RMIN} \leq I_R < 15\text{ mA}$			4	mV
		$I_{RMIN} \leq I_R < 15\text{ mA}$, $T_A = -40\text{ to }125^\circ\text{C}$			6	mV
Noise	Wideband Noise	$I_R = 100\ \mu\text{A}$, $10\text{ Hz} \leq f \leq 10\text{ kHz}$		180		μV_{RMS}
	Output Voltage Noise	$f = 0.1\text{ Hz to }10\text{ Hz}$		100		μV_{PP}
Z_R	Reverse Dynamic Impedance	$I_R = 1\text{ mA}$, $f = 120\text{ Hz}$		0.3	0.8	Ω
LTD	Long-Term Stability	0 to 1000 hours		200		ppm
		1000 to 2000 hours		200		ppm
TH	Thermal Hysteresis			80		ppm

(1) The changing output due to die temperature change must be considered separately.

Typical Performance Characteristics

All test conditions: $V_{OUT} = 2.5\text{ V}$, $T_A = +25^\circ\text{C}$, unless otherwise noted.

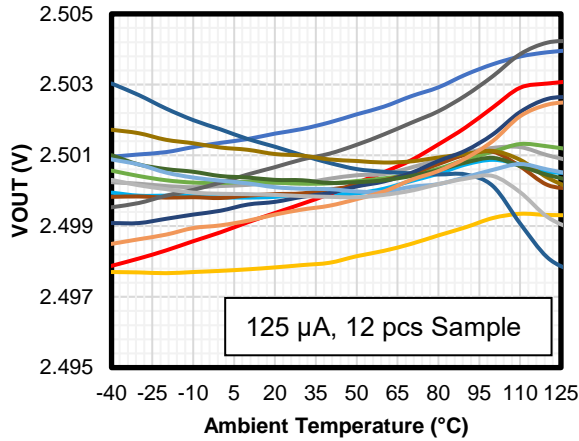


Figure 1. V_{OUT} vs. Temperature

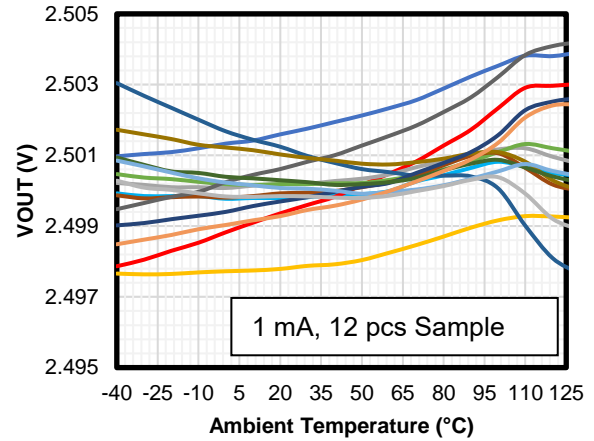


Figure 2. V_{OUT} vs. Temperature

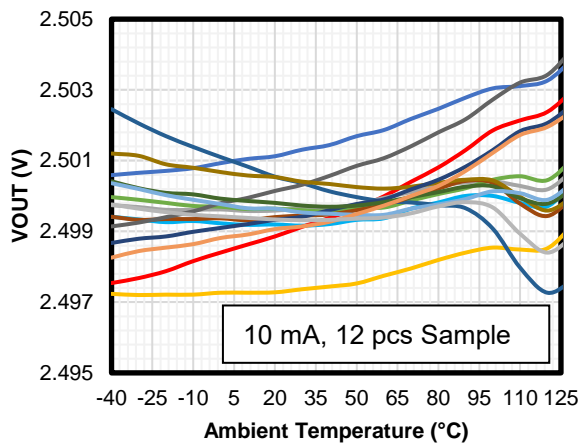


Figure 3. V_{OUT} vs. Temperature

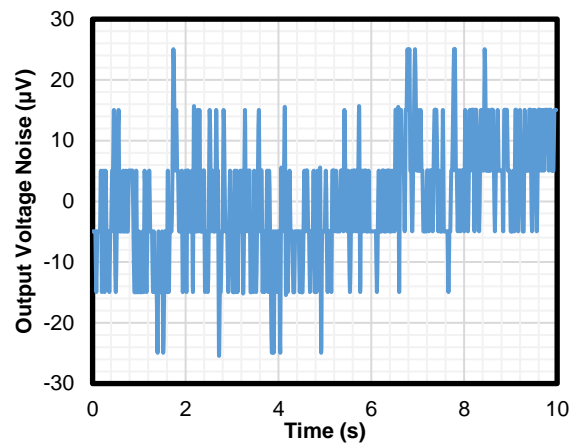


Figure 4. 0.1 to 10-Hz Noise



Figure 5. Power Up, 100 μs , $V_{BIAS} = 6.5\text{ V}$, $R_{BIAS} = 0.5\text{ k}\Omega$



Figure 6. Power Up, 15 ms, $V_{BIAS} = 6.5\text{ V}$, $R_{BIAS} = 0.5\text{ k}\Omega$

Typical Performance Characteristics (Continued)

All test conditions: $V_{IN} = 5\text{ V}$, $T_A = +25^\circ\text{C}$, unless otherwise noted.



Figure 7. Power Up, 100 μs , $V_{BIAS} = 6.5\text{ V}$, $R_{BIAS} = 2.5\text{ k}\Omega$



Figure 8. Power Up, 15 ms, $V_{BIAS} = 6.5\text{ V}$, $R_{BIAS} = 2.5\text{ k}\Omega$

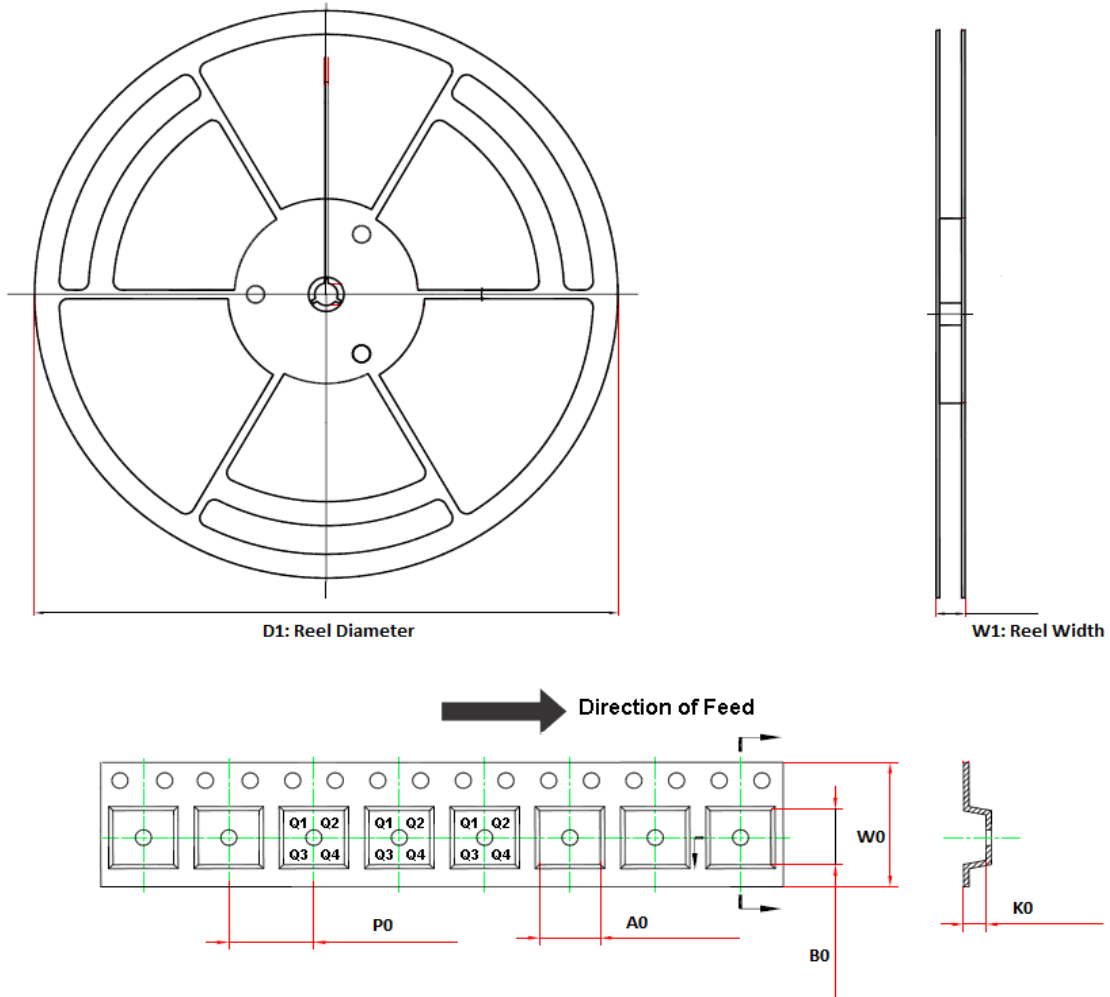


Figure 9. Power Up, 100 μs , $V_{BIAS} = 6.5\text{ V}$, $R_{BIAS} = 20\text{ k}\Omega$



Figure 10. Power Up, 15 ms, $V_{BIAS} = 6.5\text{ V}$, $R_{BIAS} = 20\text{ k}\Omega$

Tape and Reel Information

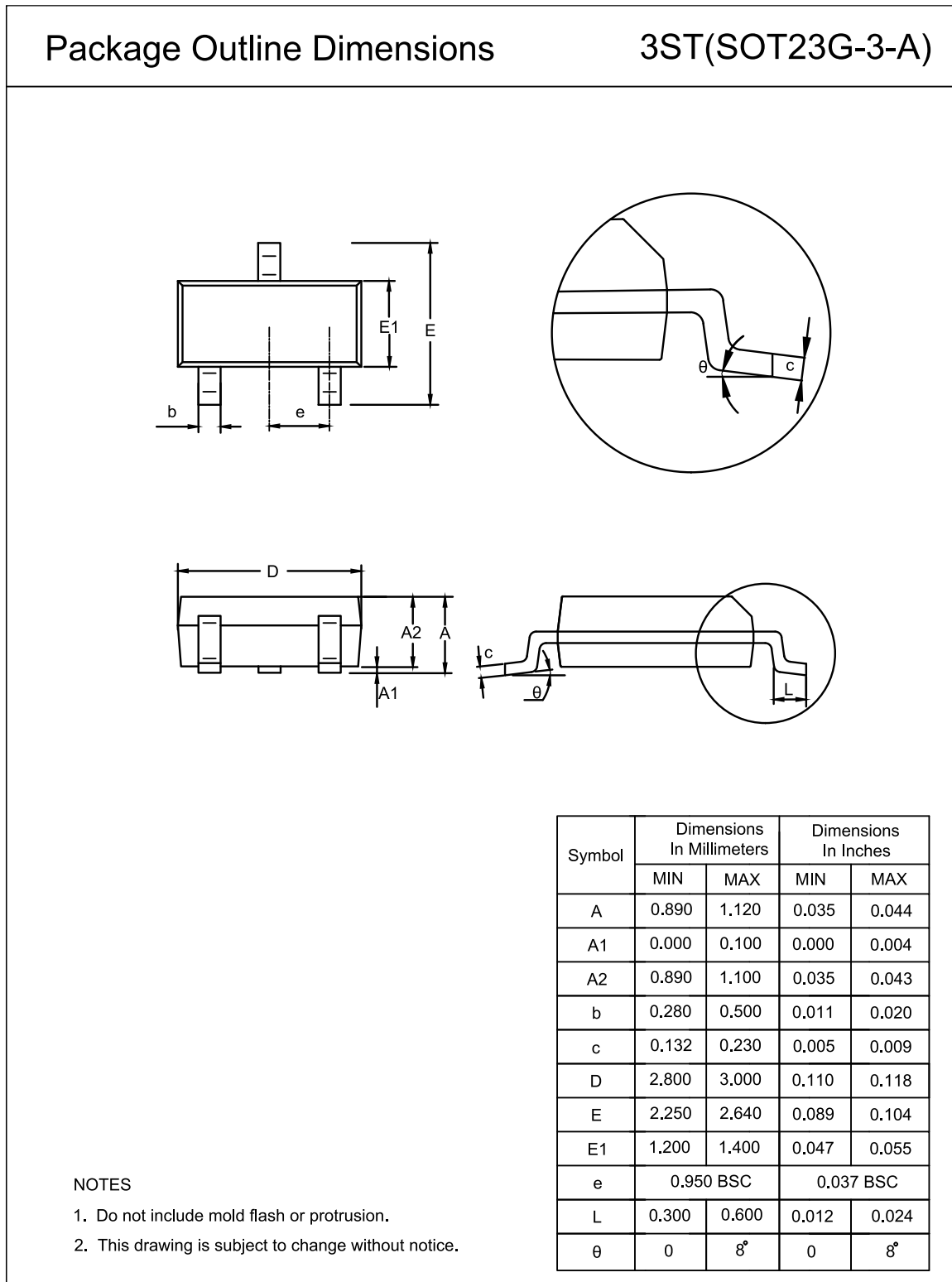


Order Number	Package	D1 (mm)	W1 (mm)	A0 (mm)	B0 (mm)	K0 (mm)	P0 (mm)	W0 (mm)	Pin1 Quadrant
TPR6040Fxx-S3TR	SOT23G-3	178	12.1	3.15	2.77	1.22	4.0	8.0	Q3

(1) Output voltage, xx = 20 to 50.

Package Outline Dimensions

SOT23G-3



Order Information

Order Number	Operating Temperature Range	Package	Marking Information	MSL	Transport Media, Quantity	Eco Plan
TPR6040F20-S3TR	-40 to 125°C	SOT23G-3	R6B	MSL3	3,000	Green
TPR6040F25-S3TR	-40 to 125°C	SOT23G-3	R6C	MSL3	3,000	Green
TPR6040F30-S3TR	-40 to 125°C	SOT23G-3	R6D	MSL3	3,000	Green
TPR6040F33-S3TR	-40 to 125°C	SOT23G-3	R6E	MSL3	3,000	Green
TPR6040F40-S3TR	-40 to 125°C	SOT23G-3	R6F	MSL3	3,000	Green
TPR6040F50-S3TR	-40 to 125°C	SOT23G-3	R6G	MSL3	3,000	Green

(1) Green: 3PEAK defines "Green" to mean RoHS compatible and free of halogen substances.

IMPORTANT NOTICE AND DISCLAIMER

Copyright© 3PEAK 2012-2023. All rights reserved.

Trademarks. Any of the 思瑞浦 or 3PEAK trade names, trademarks, graphic marks, and domain names contained in this document /material are the property of 3PEAK. You may NOT reproduce, modify, publish, transmit or distribute any Trademark without the prior written consent of 3PEAK.

Performance Information. Performance tests or performance range contained in this document/material are either results of design simulation or actual tests conducted under designated testing environment. Any variation in testing environment or simulation environment, including but not limited to testing method, testing process or testing temperature, may affect actual performance of the product.

Disclaimer. 3PEAK provides technical and reliability data (including data sheets), design resources (including reference designs), application or other design recommendations, networking tools, security information and other resources "As Is". 3PEAK makes no warranty as to the absence of defects, and makes no warranties of any kind, express or implied, including without limitation, implied warranties as to merchantability, fitness for a particular purpose or non-infringement of any third-party's intellectual property rights. Unless otherwise specified in writing, products supplied by 3PEAK are not designed to be used in any life-threatening scenarios, including critical medical applications, automotive safety-critical systems, aviation, aerospace, or any situations where failure could result in bodily harm, loss of life, or significant property damage. 3PEAK disclaims all liability for any such unauthorized use.