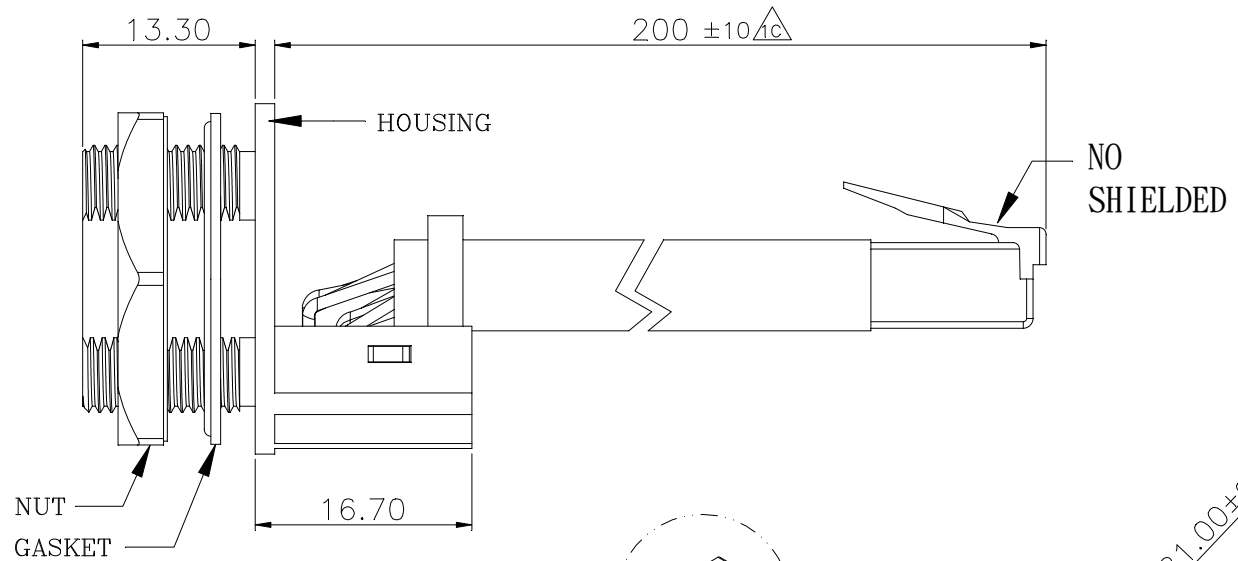
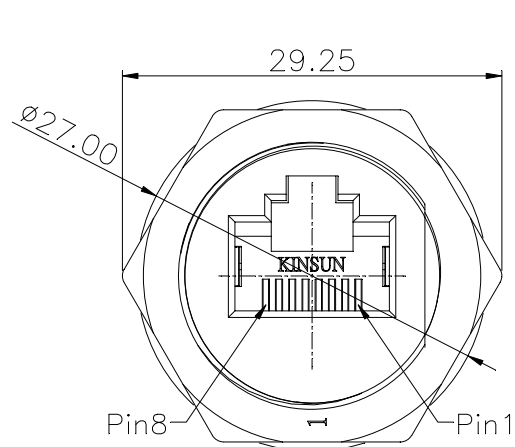


RoHS COMPLIANT



NOTES:

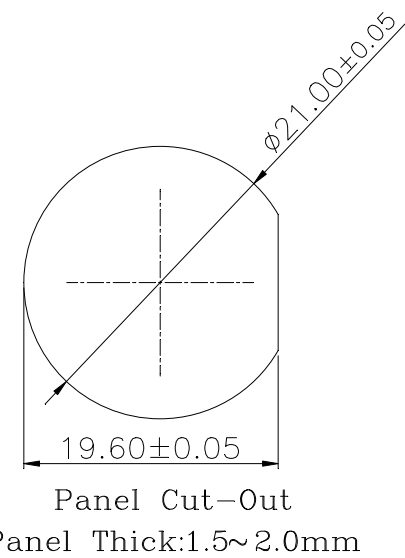
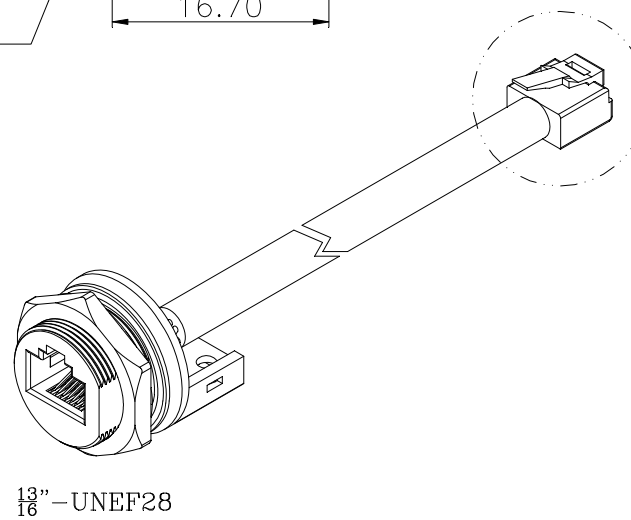
1. MATERIAL:

- 1.1 HOUSING&NUT: ENGINEERING THERMOPLASTIC, UL94V-0, COLOR:BLACK.
- 1.2 GASKET: SILICON, COLOR:RED.
- 1.3 CONTACT: PHOSPHOR BRONZE.

2. FINISH:

- 2.1 CONTACT: GOLD PLATING OVER NICKEL IN CONTACT.

3. PLUG 8P8C NO SHIELDED,CABLE COLOR:BLACK



8	Brown	棕	8	Twist	△
7	Brown/White	棕/白	7		
6	Green	綠	6	Twist	△
5	Blue/White	藍/白	5		
4	Blue	藍	4	Twist	△
3	Green/White	綠/白	3		
2	Orange	橙	2	Twist	△
1	Orange/White	橙/白	1		
Conn	Wire Color		Housing		
	Pin Out				

設計 DR. LUCAS 2021/04/15	核准 APPD. Marco 2021/04/15	容許公差 .XXX ±0.10 .XX ±0.25 .X ±0.38 X ±0.50 ANG ±3°	TOLERANCE	品名 ARTICLE 3352 帶鐵加 PLUG(Cable:20cm)
版本說明 REVISION NOTE —— 修正 3D 視圖 ——				圖號 DWG NO. 3352D01020
KINSUN		單位 UNIT 比例 SCALE 張數 SHEET 版本 REV. mm 2.5/1 1/1 B		