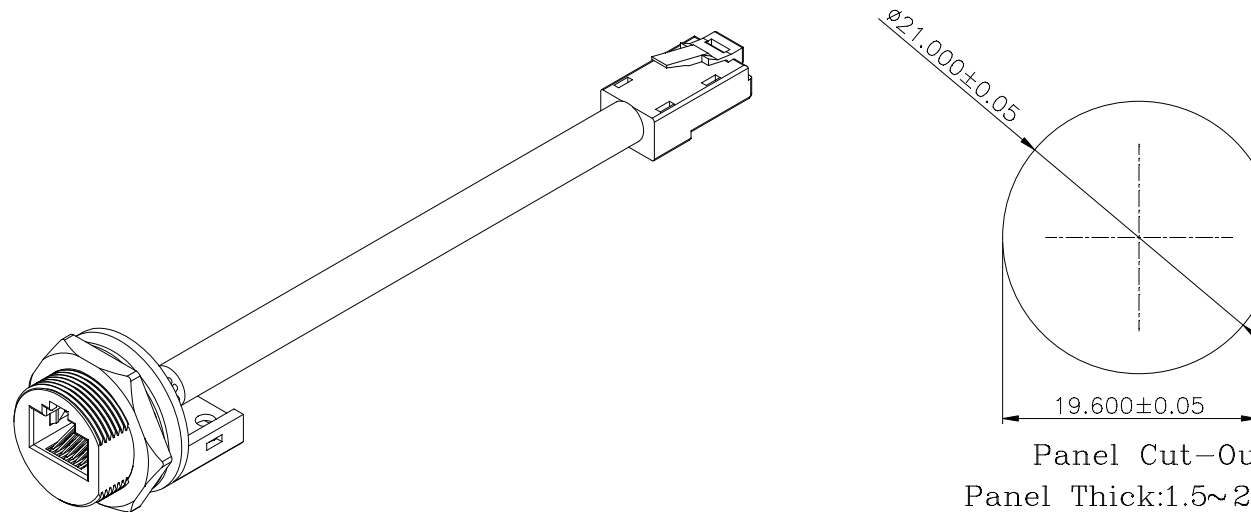
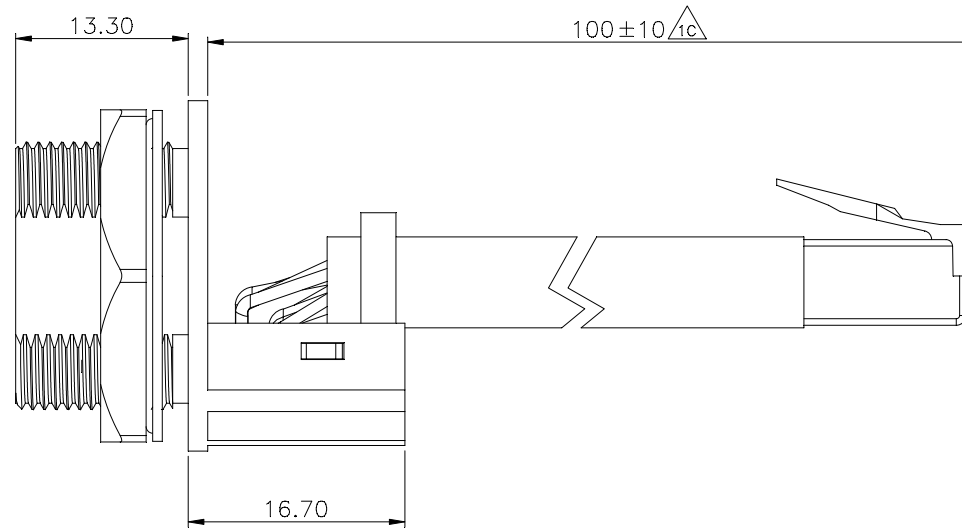
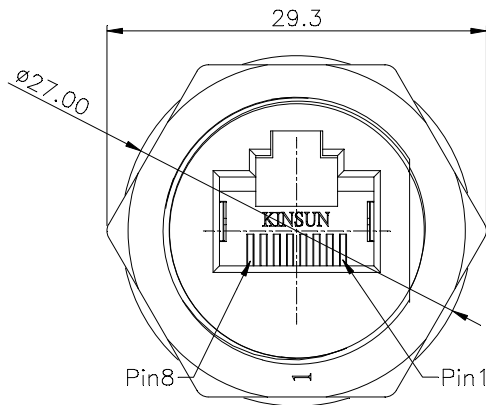


RoHS COMPLIANT



MATERIALS:
 PLASTIC HOUSING: ENGINEERING THERMOPLASTIC
 FLAMMABILITY RATING UL 94V-0.
 CONTACTS: PHOSPHOR BRONZE
 PLATING: GOLD PLATING OVER NICKEL IN CONTACT.

Nut: ENGINEERING THERMOPLASTIC FLAMMABILITY RATING UL 94V-0.
 Gasket: Silicon

※ 凡標註記號者，為品管檢驗之尺寸

Panel Cut-Out
 Panel Thick: 1.5~2.0mm

設計 DR. Damon 2012.09.04	核准 APPD. Jerry 2012.09.04	容許公差 .XXX ±0.10 .XX ±0.25 .X ±0.38 X ±0.50 ANG ±3°	TOLERANCE	品名 ARTICLE 3352防水接頭(CABLE:10cm)
版本說明 REVISION NOTE 依E303-1205242 設備墊片材質, 發日版		圖號 DWG NO. 3352D01110		單位 UNIT mm
				比例 SCALE 2.5/1
				張數 SHEET 1/1
				版本 REV. B

