

HR630201-103

Electrical Specification @25°C

RoHS Compliant (Pb Free)

Isolation: 1000 VAC 0.5mA 2 Sec.(P1-2 to P3-4)

Turns Ratio: P1-2 : P3-4 = 1 : 1

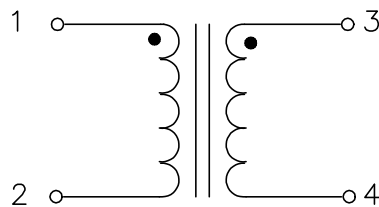
P1-2/P3-4 Inductance: 10.15mH ±35% @10KHz 1.0V

P1-2 Leakage Inductance: 25.0uH Min @10KHz 1.0V (Shorted other windings)

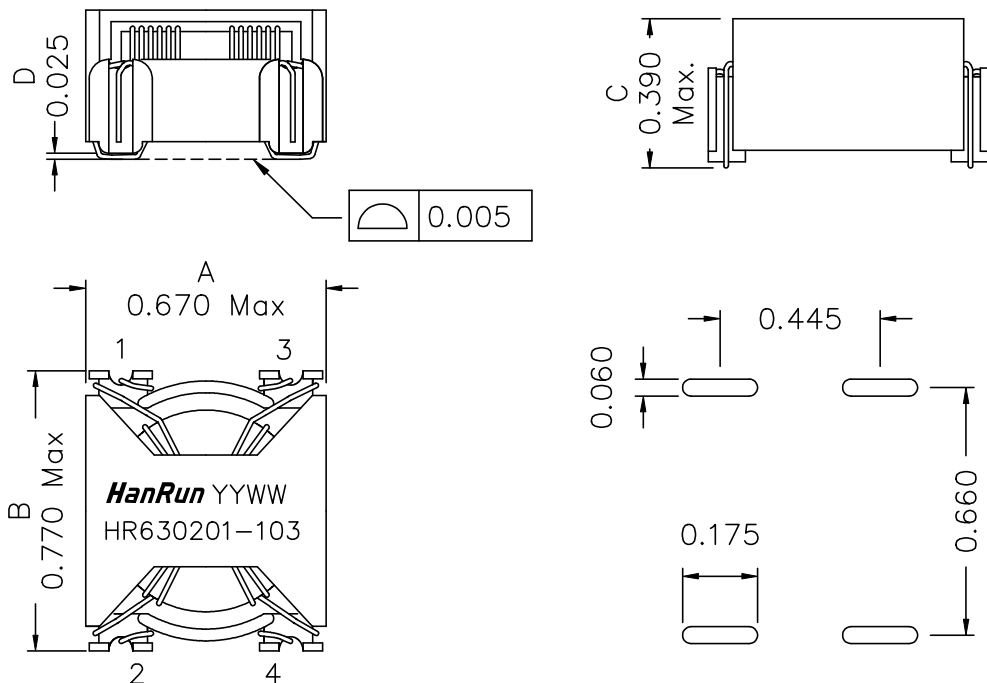
P1-2/P3-4 DC Resistance: 0.210 Ohms Max

Rated Current : 1.4 A

Schematics



Mechanical Dimensions



(SUGGESTED MOUNTING PAD)

Unless otherwise specified,
Tol.: .xxx ± 0.010 (inch)