

1x1 Port Tab-UP RJ45 Connector
with Integrated Magnetics and LED
for 10/100/1000Base-TX Applications

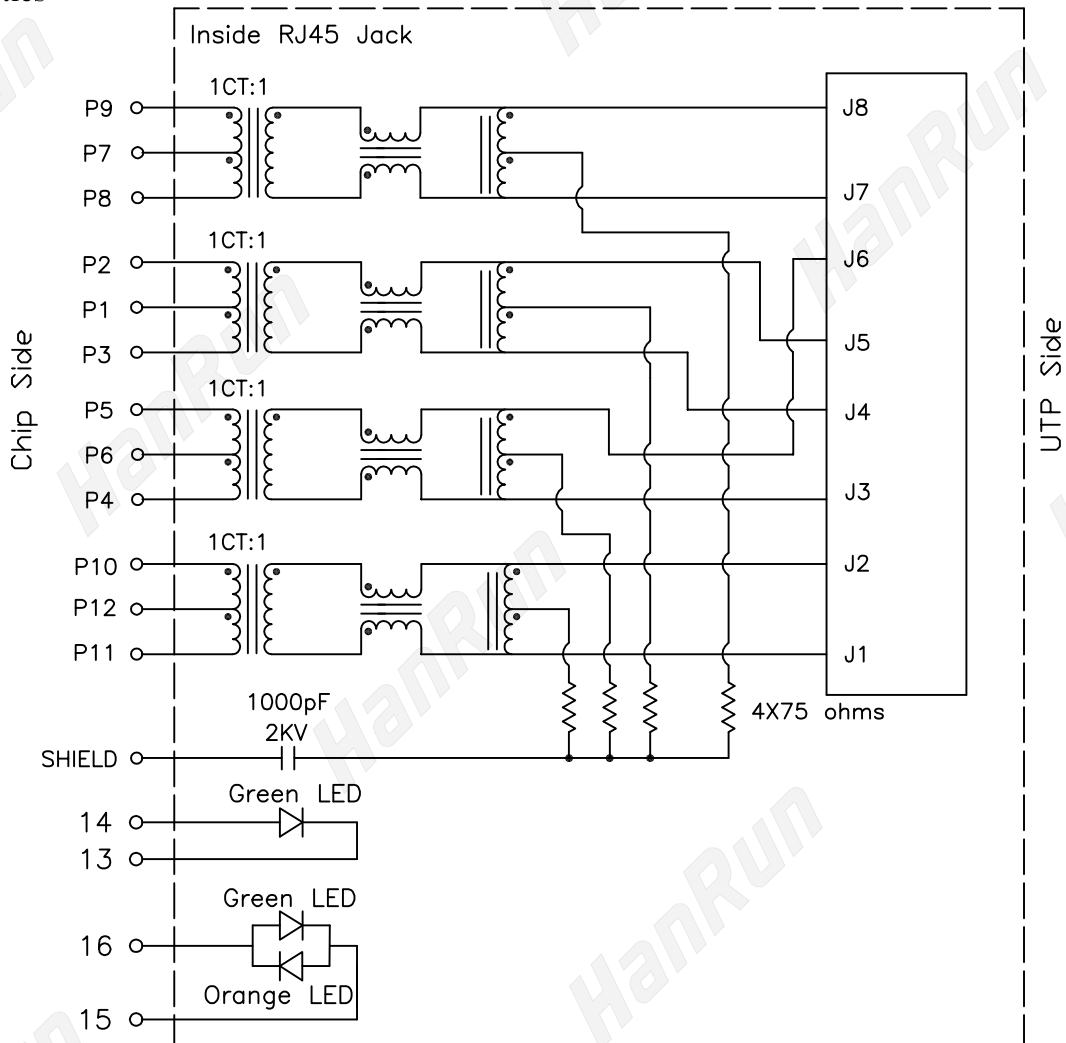


HY911180A

Electrical Specification @25°C

- RoHS Compliant (PB Free)
- Isolation: 1500Vrms (UTP Side to Chip Side)
- OCL: 350uH Minimum @100KHz 100mV with 8mADC
- Turns Ratio: 1:1 ±5%
- Insertion Loss: -1.0dB Maximum @1MHz ~ 100MHz
- Return Loss: -18dB Minimum @1MHz ~ 30MHz / -14dB Minimum @30MHz ~ 60MHz
-12dB Typical @60MHz ~ 80MHz
- Common Mode Rejection: -30dB Minimum @1MHz ~ 100MHz
- Crosstalk: -32dB Minimum @1MHz ~ 10MHz / -28dB Minimum @32MHz ~ 65MHz
-24dB Minimum @65MHz ~ 100MHz

Schematics



REV.A/1 (2008/10/28)

1 of 2

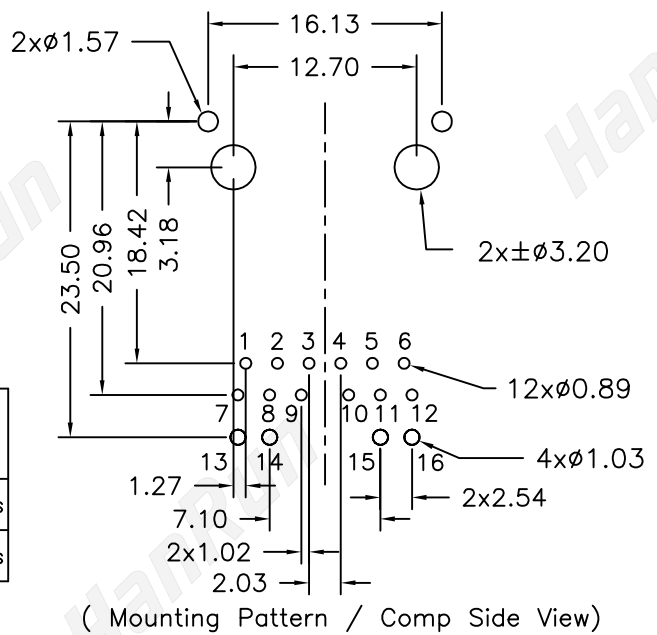
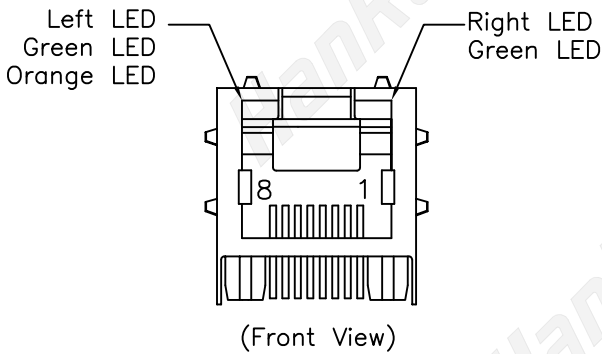
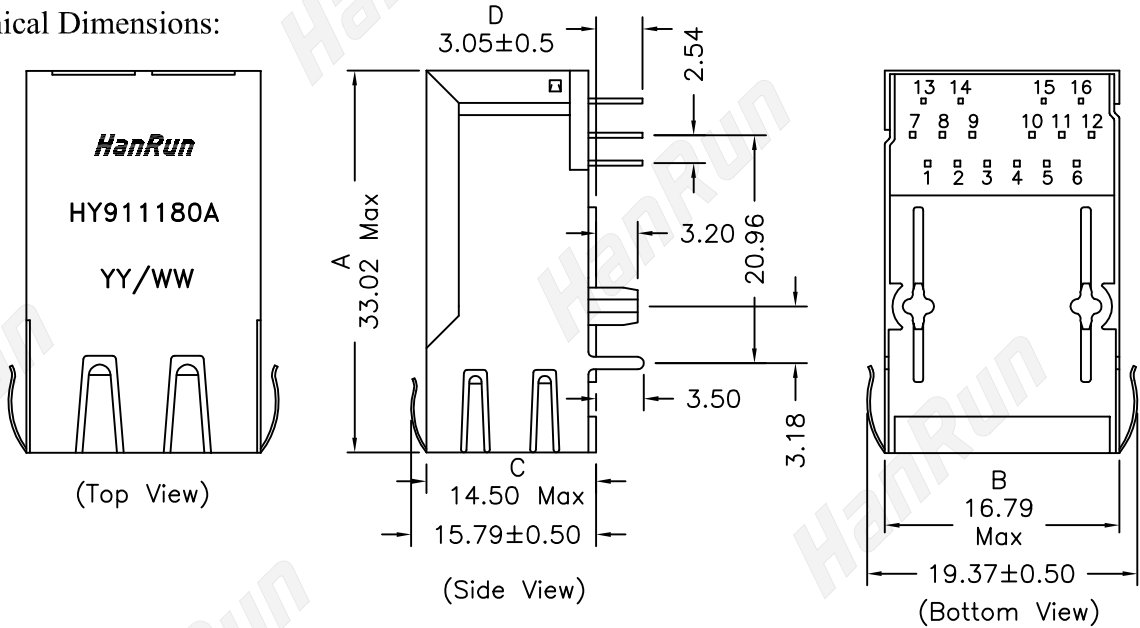
1x1 Port Tab-UP RJ45 Connector
with Magnetics Module and LED



HY911180A

- RoHS Compliant (Pb Free)
- Sing port Tab-UP with internal magnetics for 10/100/1000 Base -TX
- Meets or Exceeds IEEE802.3ab standards including 350uH Min OCL with 8mADC
- High performance for EMI suppression, Crosstalk, Return Loss and Consistent Electrical
- Minimum 1500Vrms isolation per IEEE802.3 requirement

Mechanical Dimensions:



Standard LED	Wavelength	Forward V (Min/Max)	Forward A	Type
Green/Orange	568nm/600nm	1.8V/2.8V	20mA	squareness
Green	568nm	1.8V/2.8V	20mA	squareness

Dimensions in mm

Unless otherwise specified, Tolerance: .xx ±0.25

REV.A/1 (2008/10/28)