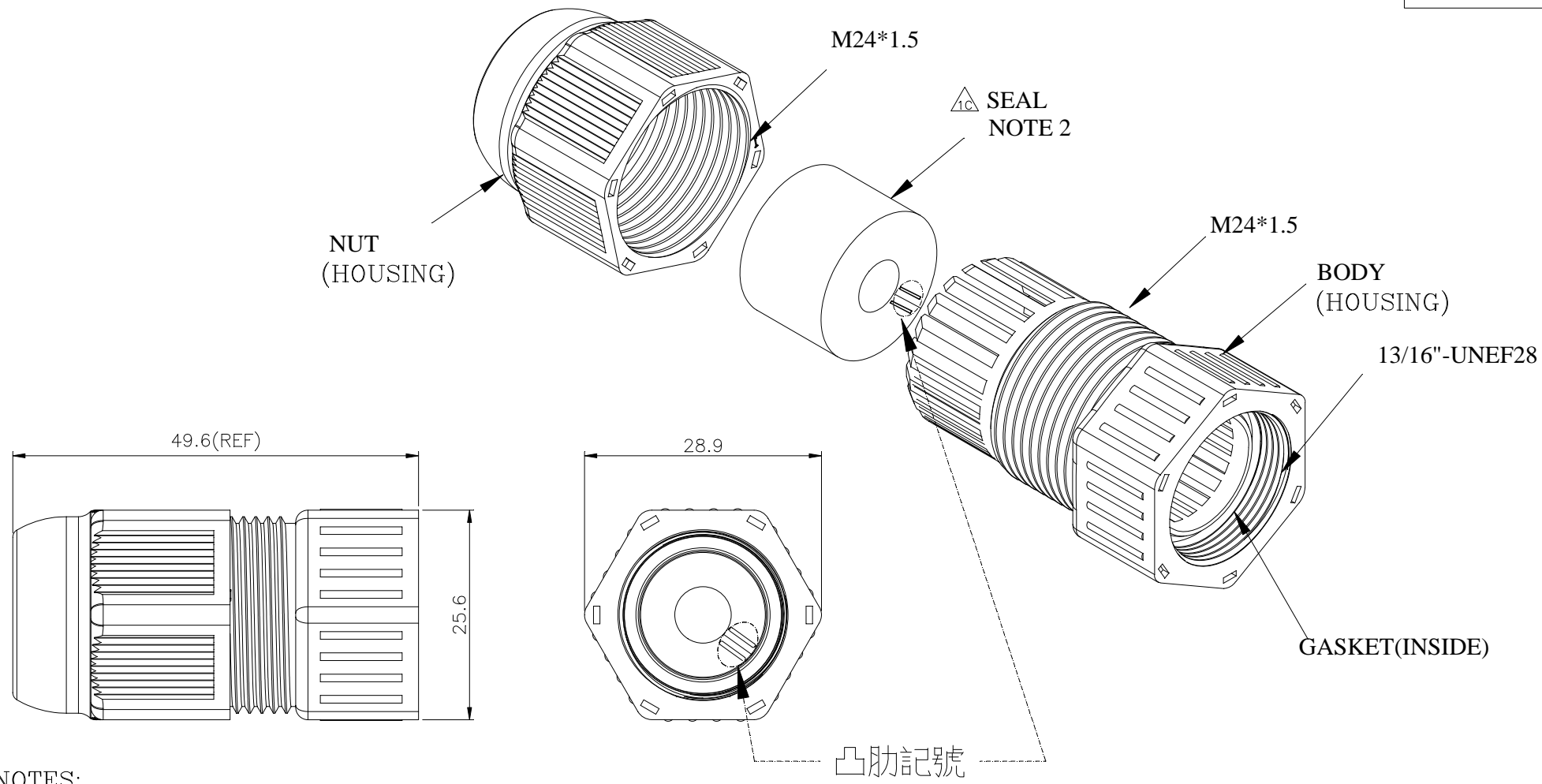


RoHS COMPLIANT



NOTES:

1. MATERIAL:
 - 1.1 HOUSING: ENGINEERING THERMOPLASTIC, UL94V-0, COLOR:BLACK.
 - 1.2 SEAL: SILICON, COLOR:RED.
 - 1.3 GASKET: SILICON, COLOR:RED.
2. APPLICABLE ETHERNET CABLE DIAMETER RANGE $\phi 7 \sim \phi 5.5$
3. \triangle MARK FOR QUALITY CONTROL DEPARTMENT EXAMINE.

設計 DR. Lucas 2016/09/09	核准 APPD. Marco 2016/09/09	容許公差 .XXX ±0.05 .XX ±0.10 .X ±0.25 X ±0.38 ANG ±3'	TOLERANCE	品名 ARTICLE 3352二代線端防水接頭
版本說明 REVISION NOTE ——線端主體升級為二代——				圖號 DWG NO. 3352L02010
KINSUN			單位 UNIT mm	比例 SCALE 張數 SHEET 版本 REV. 2/1 1/1 D