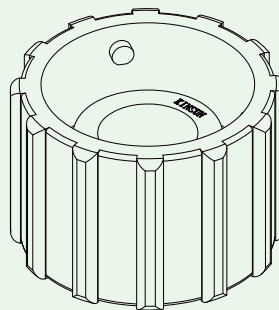
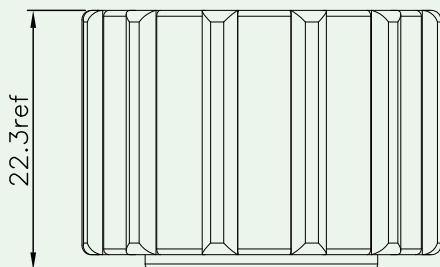
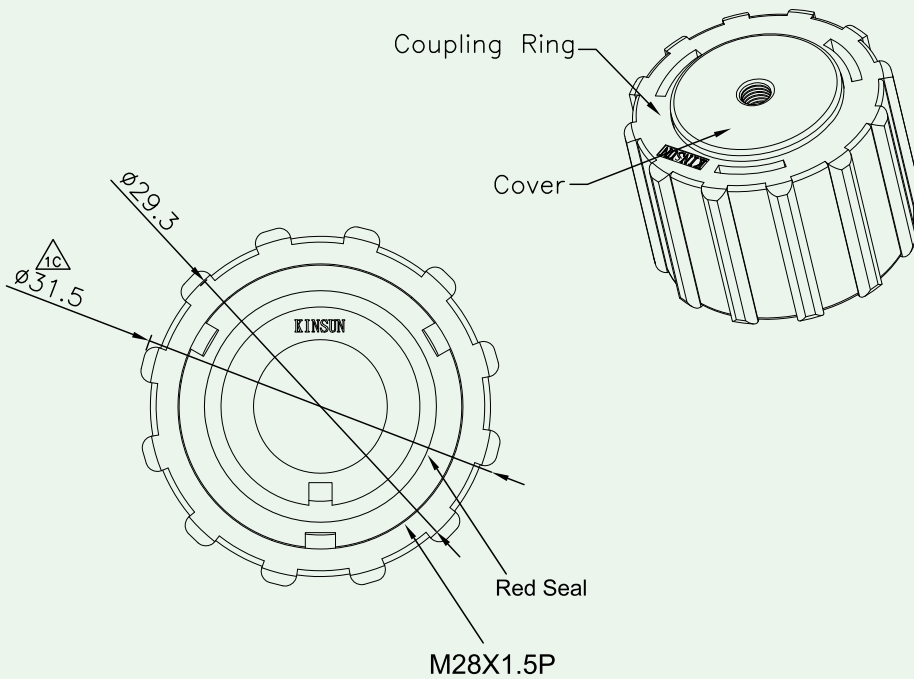




Metal Waterproof Cap (IP68)

KINSUN



Materials

- **Housing** : Zn Alloy 3, Nickel Plated
- **Red Seal** : Silicon



Ordering Information

3353A-01