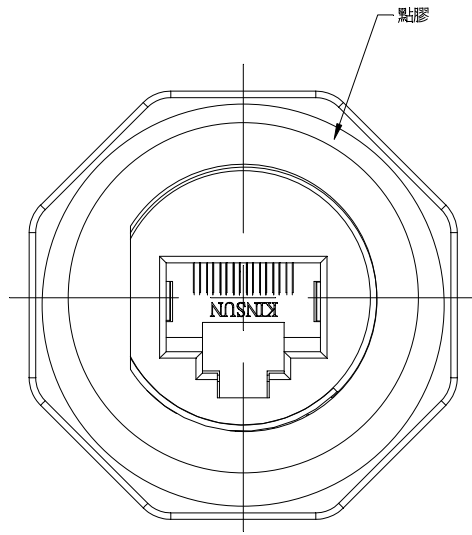
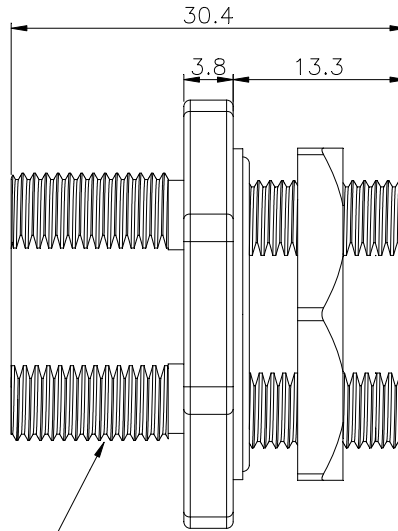


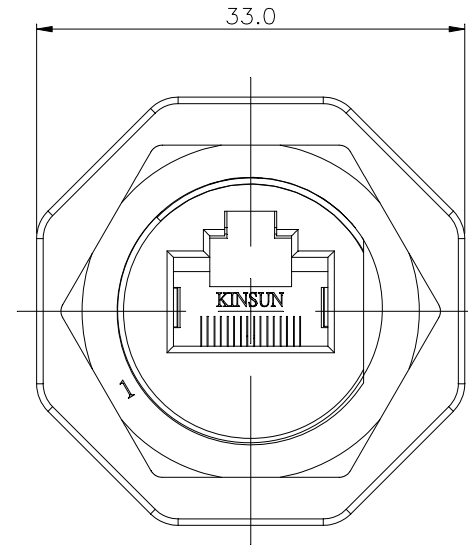
RoHS COMPLIANT



點膠



$\frac{13}{16}$ "-UNEF28



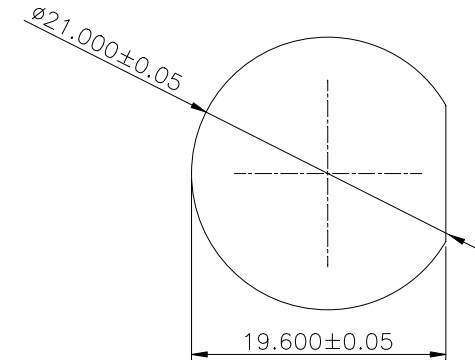
**Electrical Specifications:**

Meets EIA/TIA-568-B.2 Cat.5e Specification  
 Contact Resistance: 20 mOhm max  
 Insulation Resistance: 500 MOhm min @100V DC  
 Current Rating: 1.5A max  
 Voltage Rating: 100VDC  
 DWV: 1000V DC/60s min Contact to Contact, 1500V DC/60s Contact to Metal Shell  
 Operating Temperature: -40°C TO +85°C

**MATERIALS:**

PLASTIC HOUSING: ENGINEERING THERMOPLASTIC  
 FLAMMABILITY RATING UL 94V-0.  
 CONTACTS: PHOSPHOR BRONZE  
 PLATING: GOLD PLATING OVER NICKEL IN CONTACT.  
 GROUND PADER: BRASS PLATING NICKEL ALLOY.  
 Nut:ENGINEERING THERMOPLASTIC FLAMMABILITY RATING UL 94V-0.  
 Gasket: Silicon

※ 凡標註記號者, 為品管檢驗之尺寸



Panel Cut-Out  
 Panel Thick:1.5~2.0mm

設計 DR. Leon 2014/03/27	核准 APPD. Marco 2014/03/27	容許公差 .XXX ±0.10 .XX ±0.25 .X ±0.38 X ±0.50 ANG ±3°	TOLERANCE	品名 ARTICLE 3352防水接頭(中繼盒端接頭)
版本說明 REVISION NOTE		圖號 DWG NO. 3352G02639		單位 UNIT mm
修正電氣規格		KINSUN		比例 SCALE 張數 SHEET 1/1 版本 REV. D