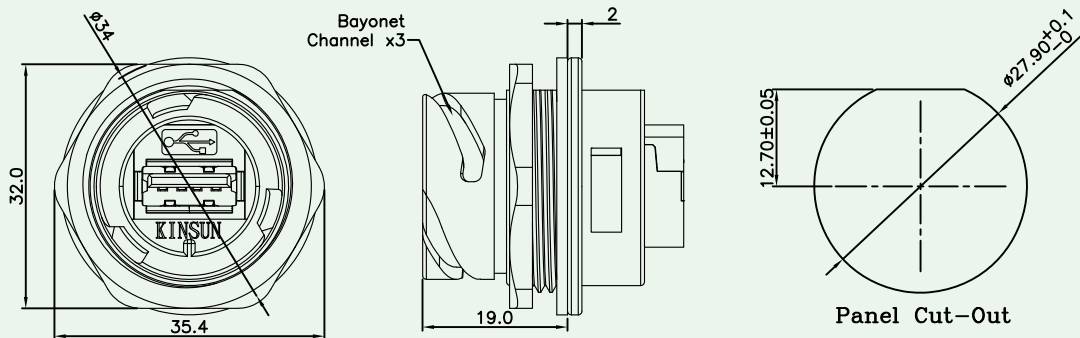
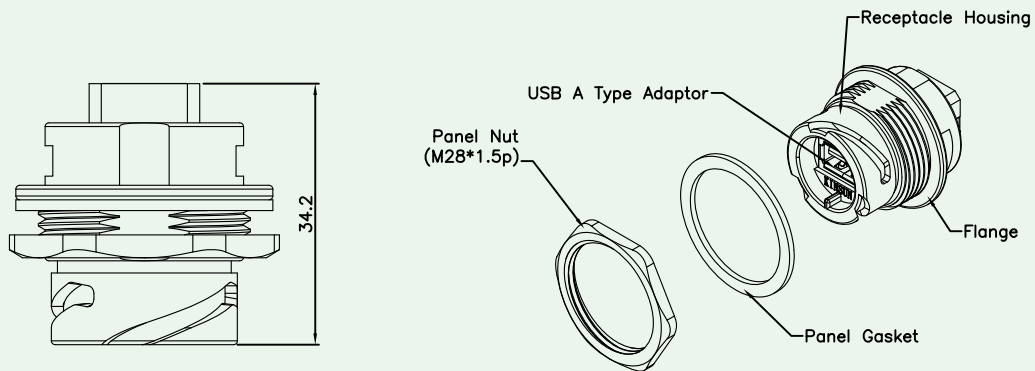




Metal Waterproof USB/A Coupler (IP68)

KINSUN



Materials

- Receptacle Housing : Zn Alloy 3, Nickel Plated
- Panel Nut : Copper Alloy, Nickel Plated
- Panel Gasket : Silicon
- USB CONN : USB A Type
- Contact : Gold over Nickel

Connector can be front mounted to a maximum panel thickness of 3.2mm.



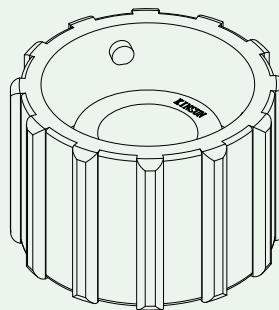
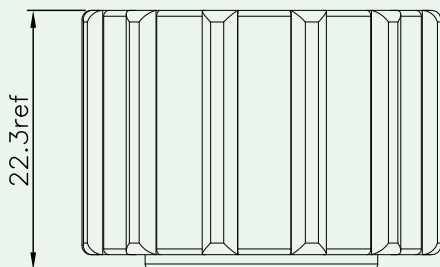
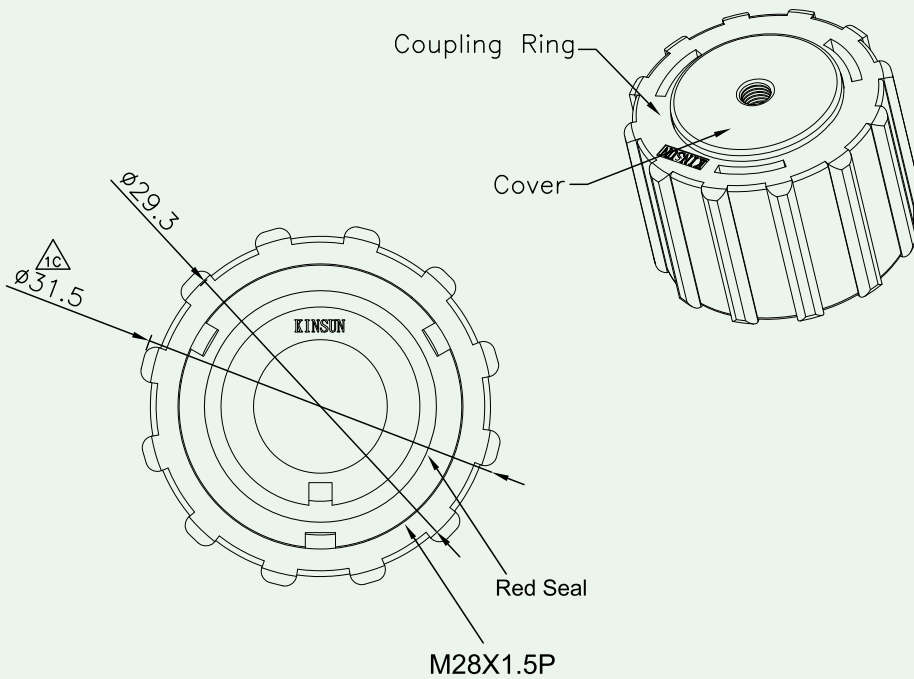
Ordering Information

3353K00030



Metal Waterproof Cap (IP68)

KINSUN



Materials

- **Housing** : Zn Alloy 3, Nickel Plated
- **Red Seal** : Silicon



Ordering Information

3353A-01