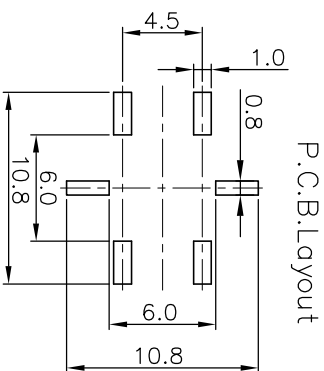
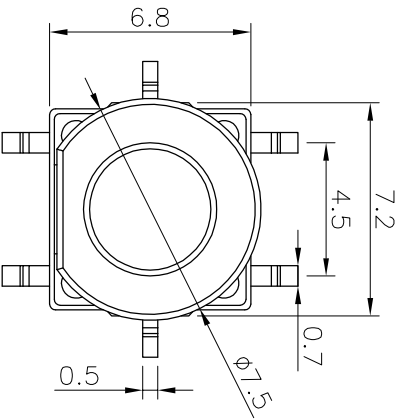
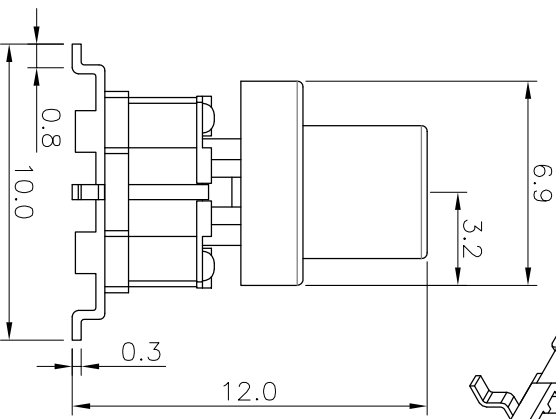
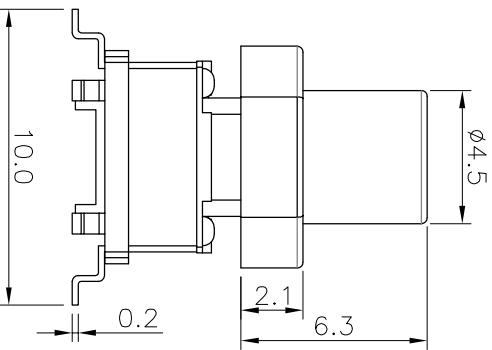
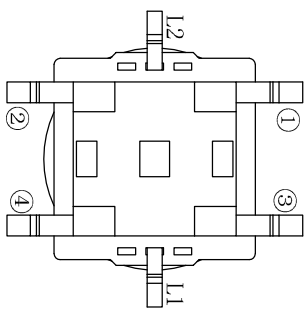
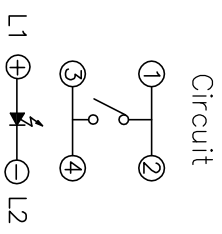




CAD FILE:

LED COLOR																			
1	2	3	4	5	6	12	13	14	23	Red	Yellow	Green	Blue	White	Pure Green	Red Yellow	Red Green	Red Blue	Yellow Green



- NOTES:
1. RATING: 12VDC 50mA
 2. CONTACT RESISTANCE: 100m Ω Max
 3. INSULATION RESISTANCE: 100M Ω 250VAC FOR 1MIN
 4. DIELECTRIC STRENGTH: 250VAC(50/60Hz) FOR 1MIN
 5. LIFE TEST: 100,000 CYCLES
 6. OPERATION FORCE: 160 \pm 50g
 7. TRAVEL: 0.25 \pm 0.1mm

- 注:
1. 此开关标示颜色端为LED的负极端;
 2. 此开关若使用回流焊焊接时, 须对开关焊接后, 再自行扣合盖子。

NO.	DESCRIPTION	MATERIAL	QTY	PLATING
8	COVER-2	PC	1	
7	COVER-1	PA	1	
6	CONTACT	SUS	1	Ag PLATED
5	TERMINAL	BRASS	1	Ag PLATED
4	LED	GdAsP/GdP	1	
3	BUTTON	PA	1	BLACK
2	CASE	PA	1	BLACK
1	DESCRIPTION			
		MATERIAL	QTY	PLATING

TOLERANCE UNLESS SPECIFIED	DESCRIPTIONS	APPD.
WITHIN 1.5: ±0.1mm OVER 1.5: ±0.2mm ANGLES: ±2°		
TITLE: ILLUMINATED TACT SWITCH		
MODEL NO: TD02-201ML-X		
SCALE: 4:1		
UNIT:mm		
DRWG. NO.:		
DWNN	YINONG	
CHK'D	ZHENGZHILIEI	
APPD.	LILIANJUN	

DONGGUAN JINBAOLI ELECTRONICS CO., LTD