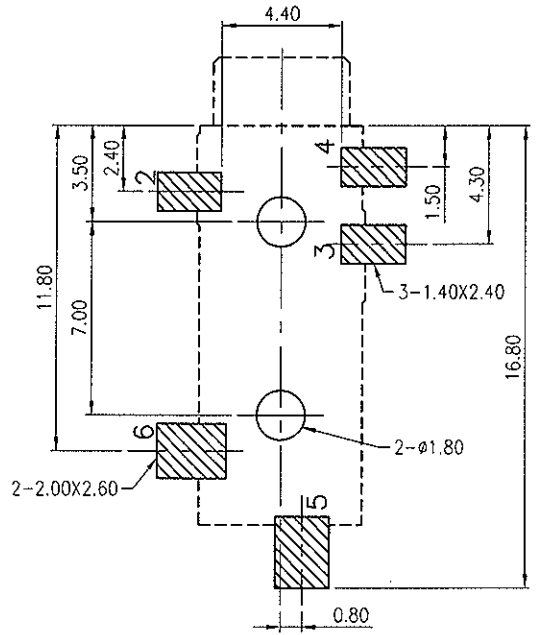
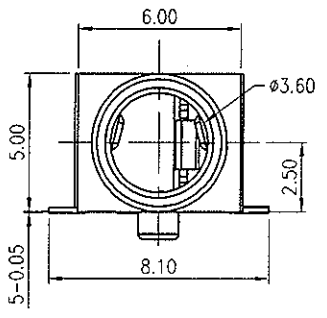
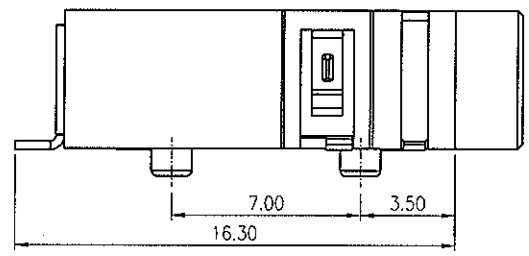
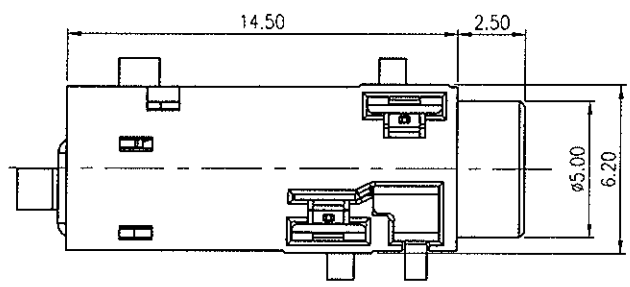


V1.3 NOTE: THIS DEVICE IS ROHS COMPLIANT.

REVISIONS							
SYM	DESCRIPTION	DATE	APPROVED	SYM	DESCRIPTION	DATE	APPROVED
△	REVISE DRAWING	08/APR/10'	ALAN	△			
△				△			

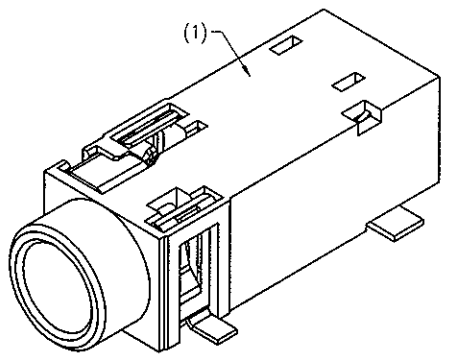
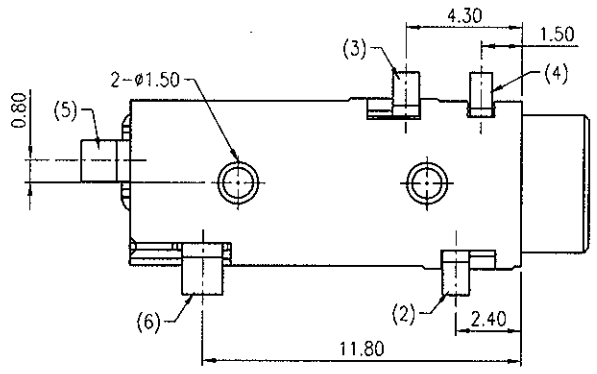
****CUSTOMER DRAWING FOR REFERENCE ONLY, SAMPLES APPROVAL ARE REQUIRED!!**

240

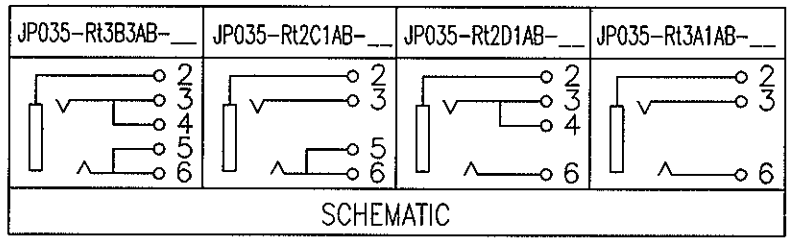


ORDER INFORMATION:
 JP035-RtXXXAB-XX
 JP: PHONE JACK
 035: SERIES NO.
 Rt: PCB TYPE, RIGHT ANGLE
 SURFACE MOUNT TYPE
 X: NO. OF POLE
 XX: CIRCUIT CONSTRUCTION,
 SEE SCHEMATIC
 A: FRAME CODE
 B: CLASS OF CENTER PIN,
 φ3.60mm
 XX: PLASTIC COLOR OPITON
 BLANK: BLACK
 08: ORANGE
 10: PINK

T:1.6 DIMENSIONS OF PC BOARD HOLES
 TOLERANCE: ±0.1(PRINTED-TOP VIEW)



NO	NAME	MATERIAL	FINISH	Q'TY
1	HOUSING	HIG TEMP. THERMOPLASTIC	BLACK (UL94V-0)	1
2	TERMINAL 2#	COPPER ALLOY t=0.20	MB: Ni Ag PLATED	1
3	TERMINAL 3# 4#	COPPER ALLOY t=0.20	MB: Ni Ag PLATED	2
4	TERMINAL 5#	COPPER ALLOY t=0.20	MB: Ni Ag PLATED	1
5	TERMINAL 6#	COPPER ALLOY t=0.20	MB: Ni Ag PLATED	1



TOLERANCES UNLESS OTHERWISE SPECIFIED ±0.30			SIGNATURES	DATE	MODEL
SYMBOL △	UNIT mm	SCALE 4/1	DRAWN	AARON	25/MAR/10'
			CHECKED	PEGGY	25/MAR/10'
			APPROVALS		
MMT					TITLE PHONE JACK NO. JP035-Rt__AB--

