

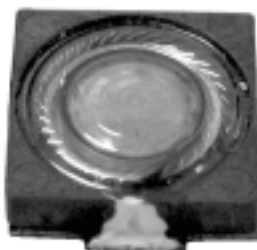
MICRO SPEAKER

(SMD TYPE)

Shape

KAA-15008

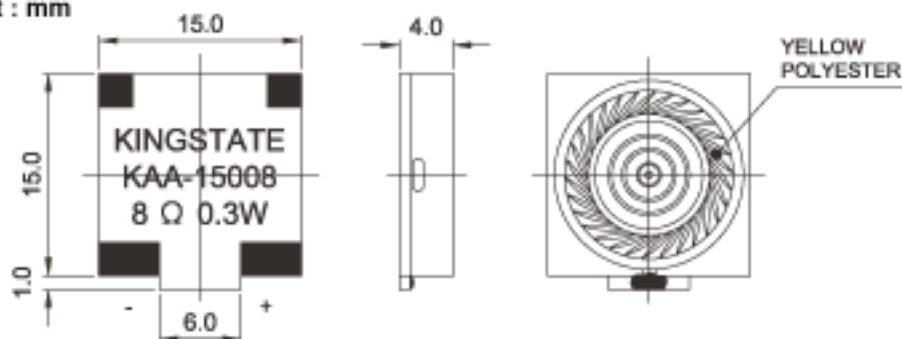
New



Rated Input (W)	0.3
Maximum Input (W)	0.5
Impedance (Ω)	$8 \pm 15\%$ @1KHz 1.0V
Rated Frequency (Hz)	$850 \pm 20\%$ @1.0V
Sound Pressure Level (dB)	$86 \pm 3\text{dB}$ (0.3W/10cm), $72 \pm 3\text{dB}$ (1W/m) @1.0K,1.2K,1.5K,2.0KHz
Frequency Range (Hz)	Fo---20K
Magnet (mm)	$\phi 8.0 \times 1.0$ Sm2Co17
Operating Temperature ($^{\circ}\text{C}$)	-40~ +85
Weight (Gram)	2.1
Material	PPS

Dimension

Tol : ± 0.5 Unit : mm



Characteristic

